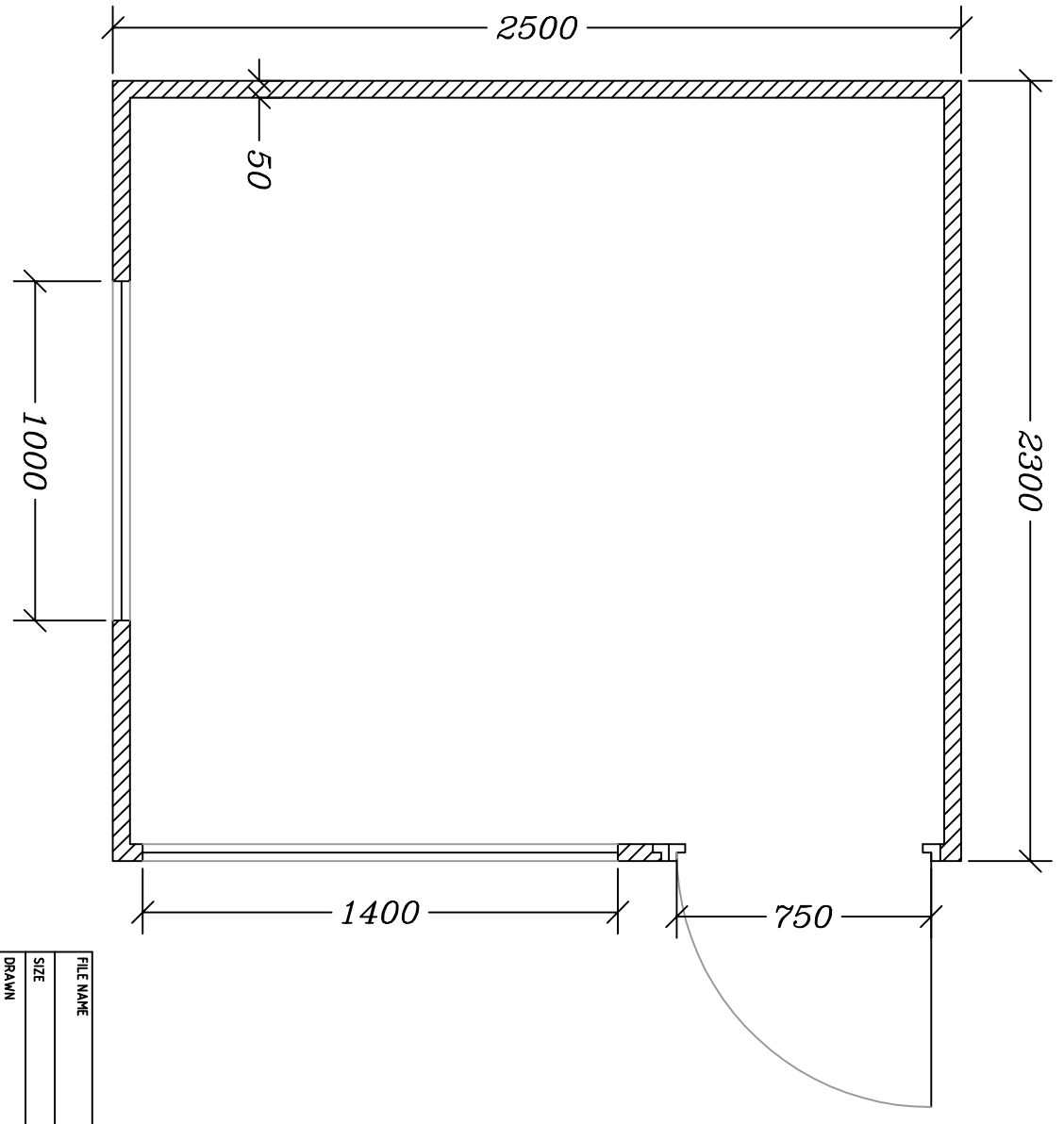


Revlo	Revision note	Date	Signature	Checked



FILE NAME	FSCM NO	SHEET	SCALE
SIZE			
DRAWN			
CHECK			
APPR.			
ISSUED			
REV			
CONTRACT NO		DWG NO	