



Sps "j orj i an uoTer end faueri"
teqniki egsper tizis da proeqti rebis departamenti
saproeqto samsaxuri

vake-sabur Tal os rai oni . davi T aRmaSenebl is q. #152.
S.p.s. "i fql i"-s obieqtis (s.k.# 01.72.14.034.467)
wyal sadenis gare qsel is mowyobis proeqti.

Tbilisi 2022

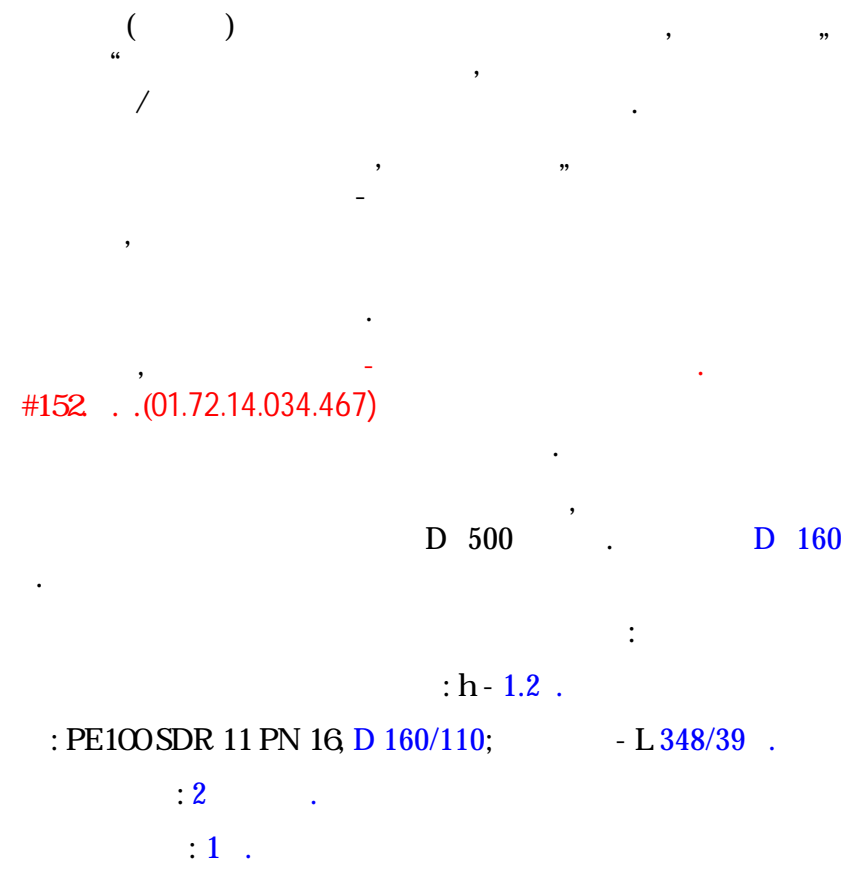
wi namdebare proeqt ireba Sesrul ebul ia gare
wyal momarageba-kanal izaci is qsel ebzesani tarul i norme bis
2.04.02-84 2.04.03-85 Tanaxmad.
samuSaoTa organi zaci a da mi Reba-Cabarebis norme bis
3.05.04-85 Tanaxmad.

| | |
|-----------|-------------------------|
| dakveTa # | #IN22-0707916 (2341) |
| stadi a | muSa proeqti (mp) |

naxazebis uwyisi

| # rigze | naxazis dasaxeloba | furc. # |
|---------|---|---------|
| 1. | saerTo monacemebi. | w-1 |
| 2. | gegma arsebul i da saproeqto kanal izaci is qsel ebis datani T. | w-2 |
| 3. | saproeqto wyal sadenis ganStoebis Wa | w-3 |
| 4. | saproeqto wyal sadenis ganStoebis Wa | w-4 |
| 5. | saproeqto wyal sadenis wyal mzomis Wa. mi wis Txril is gani vi kveTi. | w-5 |

proeqtis ganmarteba



| formati | stadia | varianti |
|---------|--------|----------|
| A3 | mp. | 1 |

pirobiTi aRni Svnebi:

- asfal tis gza
- qvi Sa-xreSovani fena
- RorRis fena
- adgil obrivi grunti
- qvi Si s fena

- Seni Svnebi**
- samuSaoebis warmoebis sas dacul i iqnas usaf rTxoebis wesebi.
 - gamagreba moewyos H=1.50 m CaRrmavebis Semdeg.
 - Txril is gaTxris dros saval debul oa geol ogis daswreba.

saerTo miTi Tebebi

- samuSaoebis dawyebamde dazustebul iqnas trasebis gaswriw sainjinro komuni kaciebis arseboba.
- wi namdebare proeqti Sesrul ebul ia gare wyal momarageba-kanal izaci is qsel is C 2.04.02-84 da C 2.04.03-85 mi Ti Tebebi s Tanaxmad.
- samuSaoTa warmoebis zedamxedvel oba da mi Reba-Cabareba ganxorciel des C 3.05.04-85 mi xedvi T.
- obieqtis saproeqto CarTvebi arsebul qsel ebTan dazustebul i da SeTanxmebul i iqnas S.p.s. "j orj ian uoTer end faueri"-s raioni wyal saden-kanal izaci is qsel ebis saeqspl oatacio samsaxurebTan.
- mi wis samuSaoebis warmoebis sas aucil ebel ia geol ogis zedamxedvel oba.
- samontaJo samuSaoebis warmoeba ganxorciel des mil is mwarmobel i firmis teqni kuri mi Ti Tebebi s mi xedvi T.
- samuSaoebis dasrul ebis Semdeg mi l sadenebi gamoi cados dawesebul i normebi s Tanaxmad.

damkveTi

S.p.s. i fql i

dakveTa #IN22-0707916 (2101)

Semsrul ebel i

| | | |
|--------------------------------|---------------|--|
| sap. axal i mi er. sam. ufrosi | s. j afari Ze | |
| proeqtis xel mZRvanel i | n. imnaZe | |
| Seasrul a | n. imnaZe | |
| Seamowma | s. j afari Ze | |

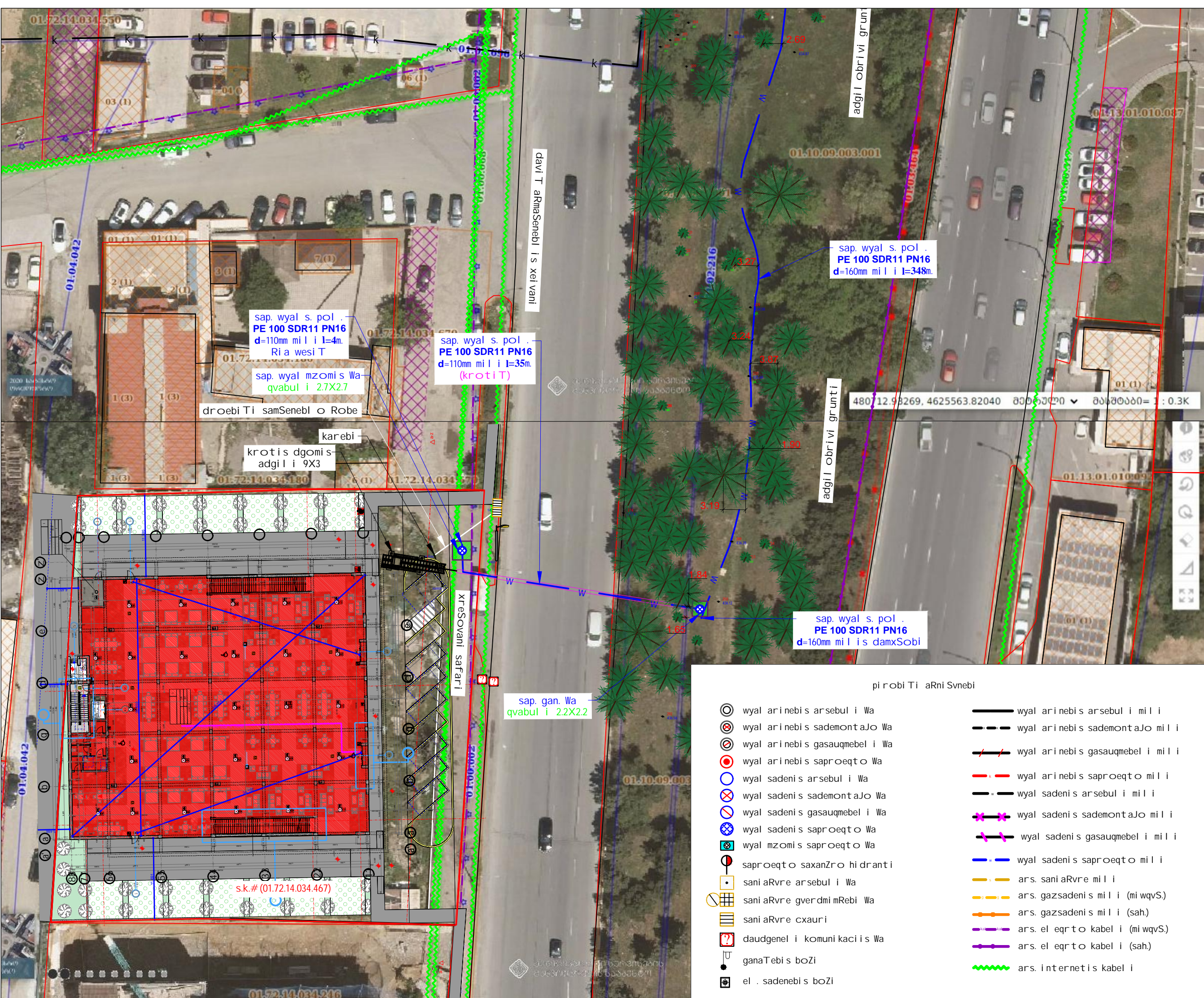
vake-saburTal os raioni. davi T aRmaSenebl is q. #152. S.p.s. "i fql i"-s obieqtis (s.k.#01.72.14.034.467) wyal sadenis gare qsel is mowyobis proeqti.

Tari Ri dekember i 2022

naxazi

saerTo monacemebi

| | | |
|----------|------------|-----------|
| masStabi | furcel i # | furcl ebi |
| ---- | w-1 | 5 |



| formati | stadia | varianti |
|---------|--------|----------|
| A3 | m.p. | 1 |

pi robi Ti aRni Svnebi:

- obieqtis xazebi
- aRs. asfal tis safari
- asfal tis gza
- qvabul i
- adgil obrivi grunTi
- xreSovani safari

Seni Svna:

damkveTi

S.p.s. ifql i

dakveTa #IN22-0707916 (2341)

Semsrul ebel i

gwp

S.p.s. "j orj ian uoTer end faueri"
teqnkurti eqsperTizis da proeqTirebis
depar tamenti -saproeqto samsaxuri
Tbil isi, medea (mZla) juRel is quCa #10.

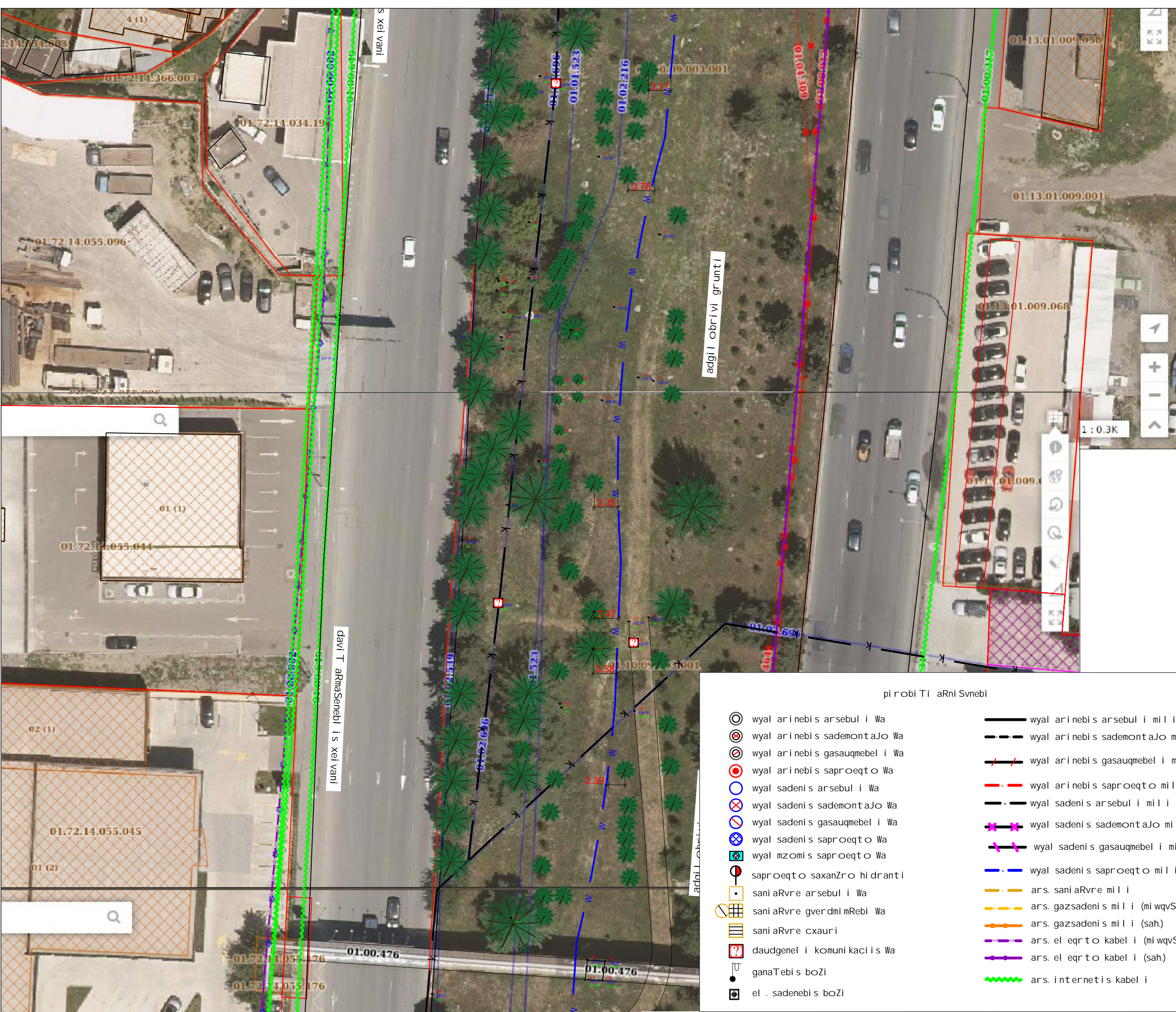
| | | |
|------------------------------|-------------|--|
| sap. axal i mer. sam. ufrosi | s. jafariZe | |
| proeqtis xel mZRvanel i | n. imnaZe | |
| Seasrul a | n. imnaZe | |
| Seamowma | s. jafariZe | |

vake-saburTal os raioni.
davi T aRmaSenebl is q. #152.
S.p.s. ifql i-s obieqtis
(s.k.#01.72.14.034.467)
wyal sadenis gare qsel is mowyobis proeqti.

| | | |
|--|----------------|-----------|
| Tari Ri | dekemberi 2022 | |
| naxazi | | |
| gegma arsebul i da saproeqto wyal saden-kanal izacii s qsel ebis datani T. | | |
| masStabi | furcel i # | furcl ebi |
| 1:500 | w-2 | 5 |

pi robi Ti aRni Svnebi

| | | | |
|--|--------------------------------|--|----------------------------------|
| | wyal arinebis arsebul i Wa | | wyal arinebis arsebul i mili |
| | wyal arinebis sademontaJo Wa | | wyal arinebis sademontaJo mili |
| | wyal arinebis gasauqmebel i Wa | | wyal arinebis gasauqmebel i mili |
| | wyal arinebis saproeqto Wa | | wyal arinebis saproeqto mili |
| | wyal sadenis arsebul i Wa | | wyal sadenis arsebul i mili |
| | wyal sadenis sademontaJo Wa | | wyal sadenis sademontaJo mili |
| | wyal sadenis gasauqmebel i Wa | | wyal sadenis gasauqmebel i mili |
| | wyal sadenis saproeqto Wa | | wyal sadenis saproeqto mili |
| | wyal mzomis saproeqto Wa | | wyal sadenis gasauqmebel i mili |
| | saproeqto saxanZro hi dranti | | wyal sadenis saproeqto mili |
| | sani aRvre arsebul i Wa | | ars. sani aRvre mili |
| | sani aRvre gverdmi mRebi Wa | | ars. gazsadeni s mili (mi wqVS) |
| | sani aRvre cxauri | | ars. gazsadeni s mili (sah.) |
| | daudgenel i komuni kaci is Wa | | ars. el eqrto kabel i (mi wqVS) |
| | ganaTebis boZi | | ars. el eqrto kabel i (sah.) |
| | el . sadenebis boZi | | ars. internetis kabel i |



| formati | stadia | varianti |
|---------|--------|----------|
| A3 | m.p. | 1 |

pi robi Ti aRni Svnebi:

- obieqtis xazebi
- aRs. asfal tis safari
- asfal tis gza
- qvabul i
- adgil obrivi grunti
- xreSovani safari

Seni Svna:

dankveTi

S.p.s. ifql i

dakveTa #IN22-0707916 (2341)

Semsrul ebel i

gwp

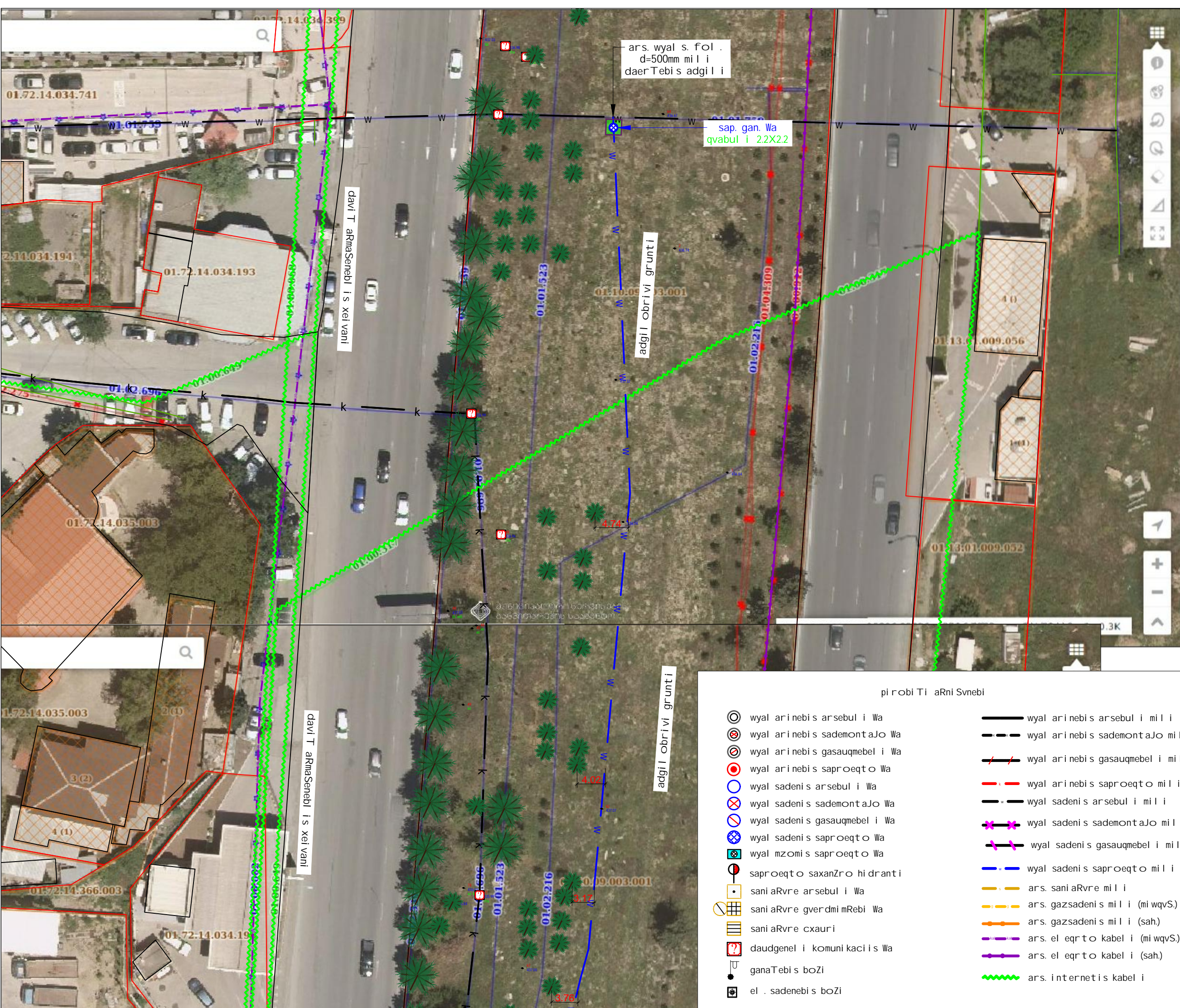
S.p.s. "j orj ian uoTer end faueri"
teqnkurti eqsper tizis da proeqti rebis
depar tamenti -saproeqto samsaxuri
Tbil isi, medea (mzla) juRel is quCa #10.

| | |
|-------------------------|-------------|
| mir. sam. ufrosi | s. jafariZe |
| proeqtis xel mZRvanel i | n. imnaZe |
| Seasrul a | n. imnaZe |
| Seamowma | s. jafariZe |

vake-saburTal os raioni.
davi T aRmaSenebl is q. #152.
S.p.s. ifql i-s obieqtis
(s.k.#01.72.14.034.467)
wyal sadeni s gare qsel is mowyobis proeqti.

| | | |
|--|----------------|-----------|
| Tari Ri | dekemberi 2022 | |
| naxazi | | |
| gegma arsebul i da saproeqto wyal saden-kanal izacii s qsel ebis datani T. | | |
| masStabi | furcel i # | furcl ebi |
| 1:500 | w-2 | 5 |

- pi robi Ti aRni Svnebi
- | | | | |
|--|--------------------------------|--|-----------------------------------|
| | wyal arinebis arsebul i Wa | | wyal arinebis arsebul i mil i |
| | wyal arinebis sademontaJo Wa | | wyal arinebis sademontaJo mil i |
| | wyal arinebis gasauqmebel i Wa | | wyal arinebis gasauqmebel i mil i |
| | wyal arinebis saproeqto Wa | | wyal arinebis saproeqto mil i |
| | wyal sadeni s arsebul i Wa | | wyal sadeni s arsebul i mil i |
| | wyal sadeni s sademontaJo Wa | | wyal sadeni s sademontaJo mil i |
| | wyal sadeni s gasauqmebel i Wa | | wyal sadeni s gasauqmebel i mil i |
| | wyal sadeni s saproeqto Wa | | wyal sadeni s saproeqto mil i |
| | wyal mzom i s saproeqto Wa | | ars. sani aRvre mil i |
| | saproeqto saxanZro hi dranti | | ars. gazsadeni s mil i (mi wqvS.) |
| | sani aRvre arsebul i Wa | | ars. el eqrto kabel i (mi wqvS.) |
| | sani aRvre gverdmi mRebi Wa | | ars. el eqrto kabel i (sah.) |
| | sani aRvre cxauri | | ars. internetis kabel i |
| | daudgenel i komuni kaci i s Wa | | |
| | ganaTebis boZi | | |
| | el . sadenebi s boZi | | |



| formati | stadia | varianti |
|---------|--------|----------|
| A3 | m.p. | 1 |

pi robi Ti aRni Svnebi:

- ▨ obieqtis xazebi
- ▨ aRs. asfal tis safari
- ▨ asfal tis gza
- ▨ qvabul i
- ▨ adgii obrivi grunტი
- ▨ xreSovani safari

Seni Svna:

dankveTi S.p.s. ifqli

dakveTa #IN22-0707916 (2341)

Semsrul ebel i



S.p.s. "j orj ian uoTer end faueri"
teqnikuri eqspertizis da proeqტი rebi s
depar tamenti -saproeqto samsaxuri
Tbil isi, medea (mZla) juRel is quCa #10.

| | | |
|------------------------------|-------------|--|
| sap. axal i mir. sam. ufrosi | s. jafariZe | |
| proeqtis xel mZRvanel i | n. imnaZe | |
| Seasrul a | n. imnaZe | |
| Seamowma | s. jafariZe | |

vake-saburTal os raioni.
davi T aRmaSenebl is q. #152.
S.p.s. ifqli -s obieqtis
(s.k.#01.72.14.034.467)
wyal sadeni s gare qsel is mowyobis proeqტი.

Tari Ri dekemberi 2022

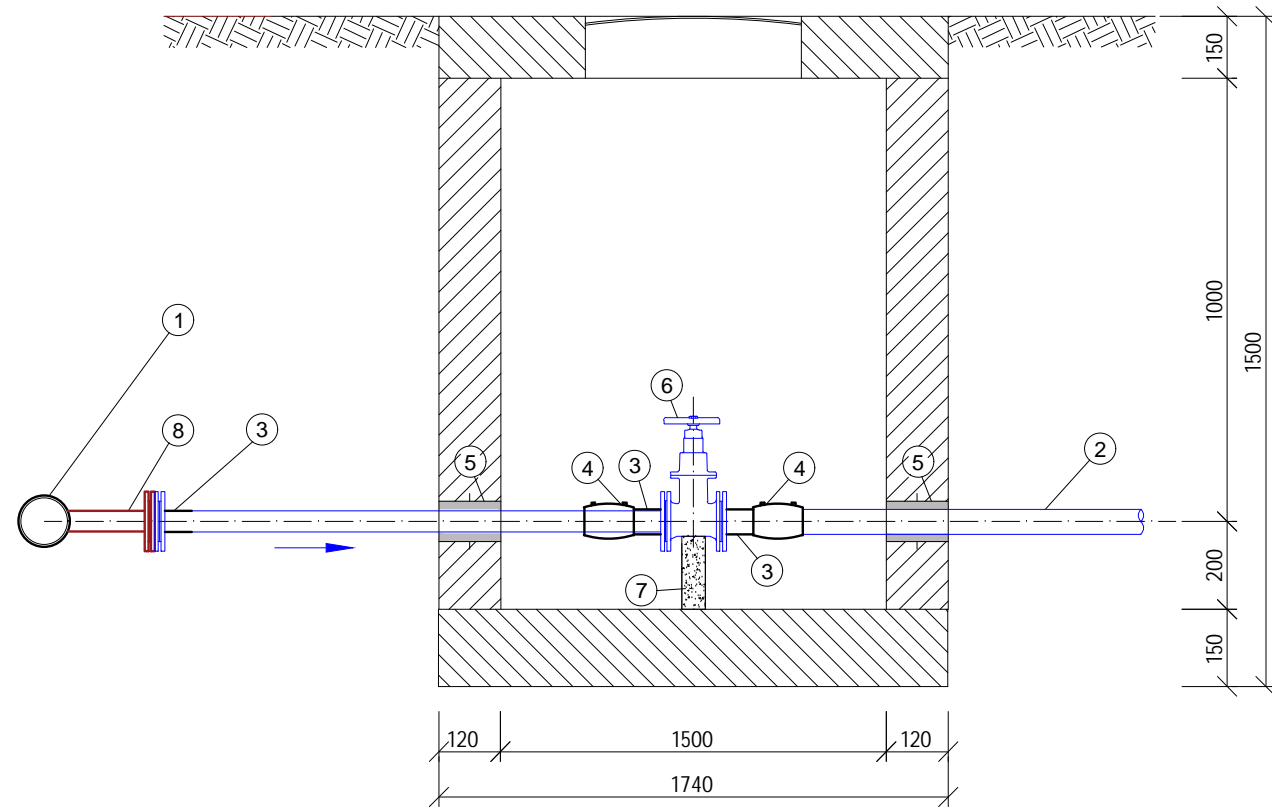
naxazi gegma arsebul i da saproeqto wyal saden-kanal izacii s qsel ebi s datani T.

| masStabi | furcel i # | furcl ebi |
|----------|------------|-----------|
| 1:500 | w-2 | 5 |

pi robi Ti aRni Svnebi

| | |
|----------------------------------|---|
| ⊙ wyal arinebis arsebul i Wa | — wyal arinebis arsebul i mil i |
| ⊗ wyal arinebis sademontaJo Wa | - - wyal arinebis sademontaJo mil i |
| ⊕ wyal arinebis gasauqmebel i Wa | — / — wyal arinebis gasauqmebel i mil i |
| ● wyal arinebis saproeqto Wa | - - wyal arinebis saproeqto mil i |
| ○ wyal sadeni s arsebul i Wa | - - wyal sadeni s arsebul i mil i |
| ⊗ wyal sadeni s sademontaJo Wa | ✕ ✕ wyal sadeni s sademontaJo mil i |
| ⊕ wyal sadeni s gasauqmebel i Wa | ✕ ✕ wyal sadeni s gasauqmebel i mil i |
| ⊗ wyal sadeni s saproeqto Wa | — wyal sadeni s saproeqto mil i |
| ⊕ wyal mzomis saproeqto Wa | — ars. sani aRvre mil i |
| ⊕ saproeqto saxanZro hi dranti | — ars. gazsadeni s mil i (mi wqVS.) |
| ⊕ sani aRvre arsebul i Wa | — ars. gazsadeni s mil i (sah.) |
| ⊕ sani aRvre gverdmi mRebi Wa | — ars. el eqrto kabel i (mi wqVS.) |
| ⊕ sani aRvre cxauri | — ars. el eqrto kabel i (sah.) |
| ⊕ daudgenel i komuni kacii s Wa | — ars. internetis kabel i |
| ⊕ ganaTebis boZi | |
| ⊕ el . sadenebi s boZi | |

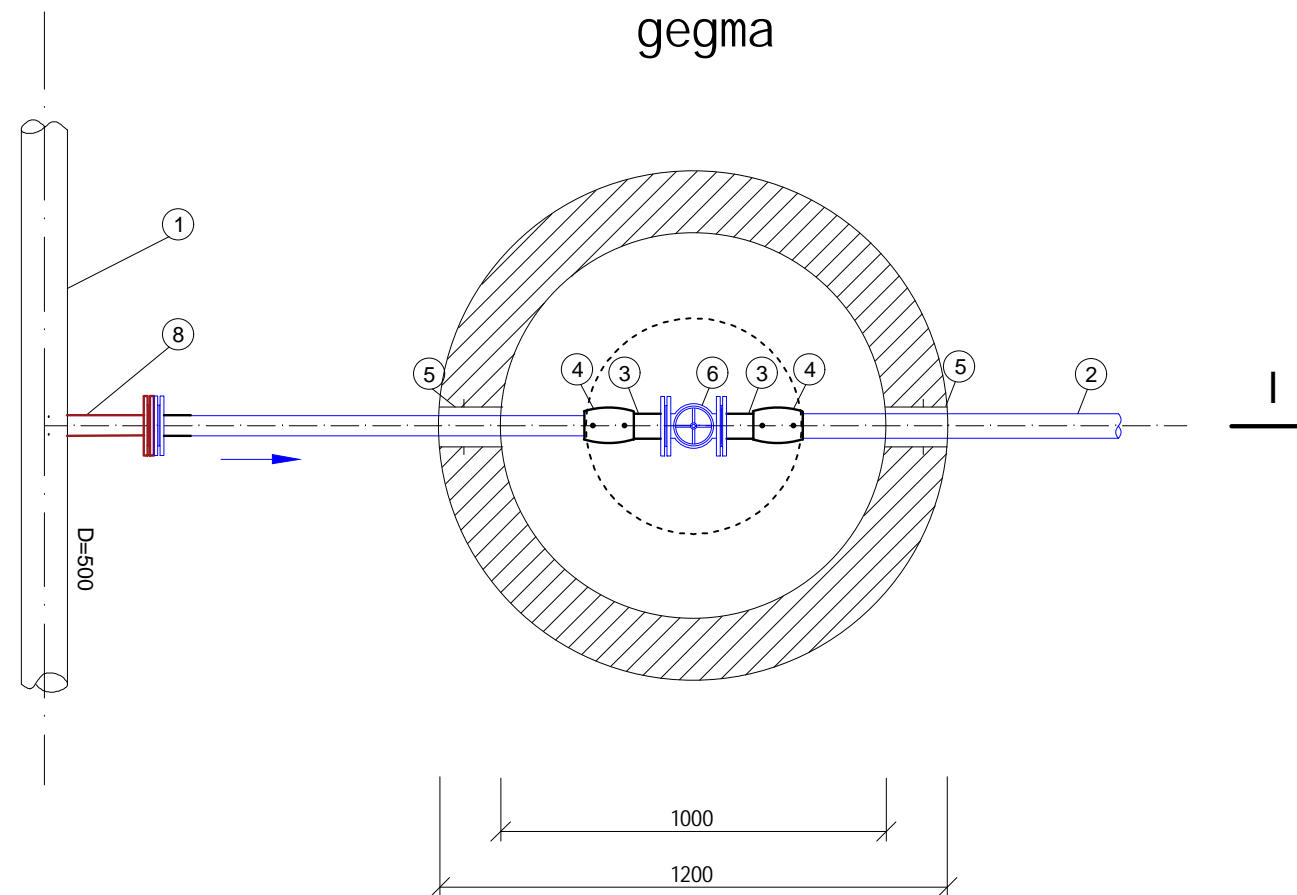
saproeqto ganStoebis Wa WriLi I-I



eqspl ikacia

1. ars. fol . mili d=500 mm mili ;
2. sap. pol ieTinel is mili PE100 SDR11 PN16 d=160 mm;
3. pol ieTil enis adaptori mil tuCiT d=160 mm;
4. pol ieTil enis SemaerTebel i el . quro d=160 mm;
5. Cobal i d=273 mm;
6. urdul i d=150 mm;
7. sayrdeni fol adis mili d=150 mm l iTonis furcl iT;
8. sap. fol adis mil yel i mil tuCiT d=150 mm l iTonis furcl iT;
9. uni revsal uri quro-unagiri d=500/150 mm

gegma



| | | |
|---------|--------|----------|
| formati | stadia | varianti |
| A3 | m.p. | 1 |

pi robi Ti aRni Svnebi :

- asfal tis gza
- qvi Sa-xreSovani fena
- RorRis fena
- adgil obrivi grunti
- qvi Si s fena

Seni Svnebi

1. samuSaoebis warmoebis sas dacul i i qnas usafrTxoebis wesebi .
2. gamagreba moewyos H=1.50 m CaRrmavebis Semdeg.
3. Txrilis gaTxris dros saval debul oa geol ogis daswreba.

damkveTi **S.p.s. i fql i**

dakveTa #IN22-0707916 (2101)

Semsrul ebel i

S.p.s."j orjian uoTer end faueri"
teqnikuri eqspertizis da proeqtibeis
depar tamenti -saproeqto samsaxuri
Tbil isi, medea (mzia) j uRel is quCa #10.

| | | |
|--------------------------------|---------------|--|
| sap. axal i mi er. sam. ufrosi | s. j afari Ze | |
| proeqtis xel mZRvanel i | n. imnaZe | |
| Seasrul a | n. imnaZe | |
| Seamowma | s. j afari Ze | |

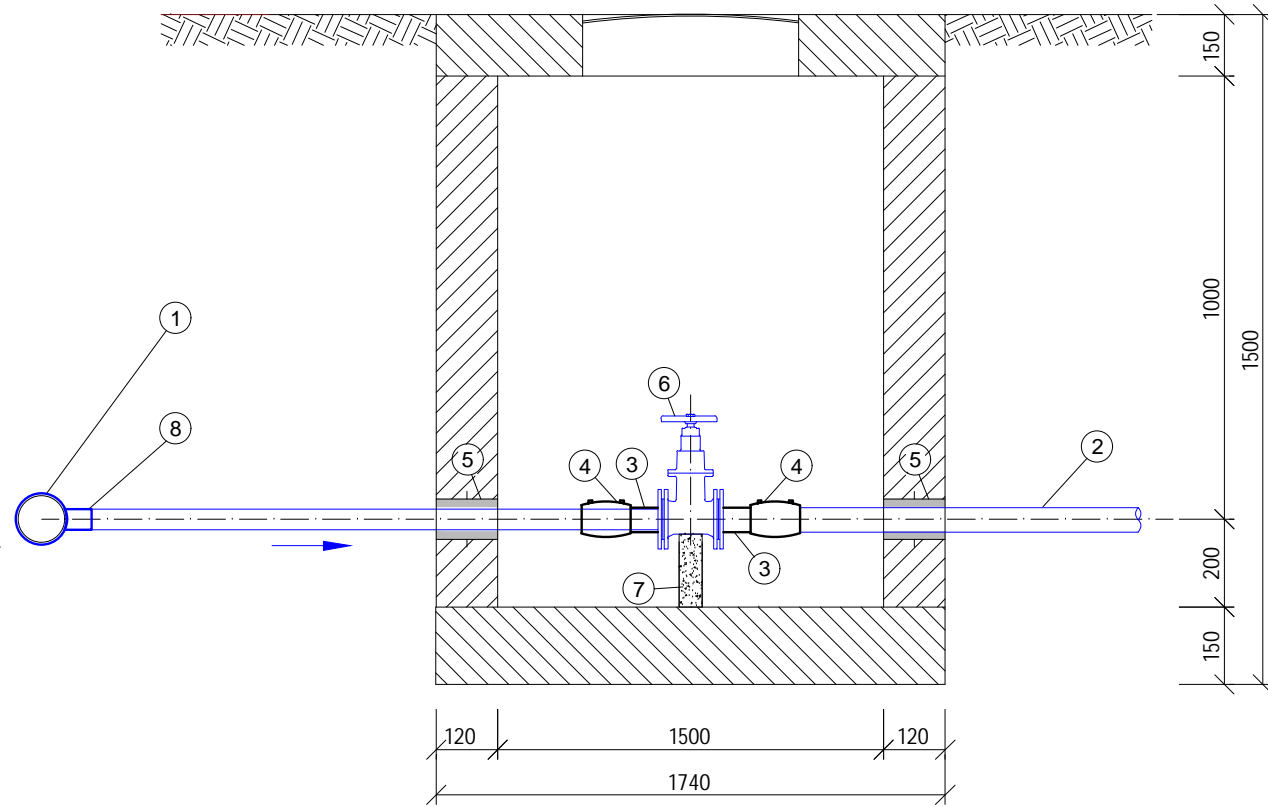
vake-saburTal os rai oni.
davi T aRmaSenebl is q. #152.
S.p.s. "i fql i"-s obieqtis
(s.k.#01.72.14.034.467)
wyal sadenis gare qsel is mowyobis proeqti .

| | |
|---------|-----------------|
| Tari Ri | dekember i 2022 |
| naxazi | |

sap. ganStoebis Wa.
saproeqto urdul iT.

| | | |
|----------|------------|-----------|
| masStabi | furcel i # | furcl ebi |
| ---- | w-3 | 5 |

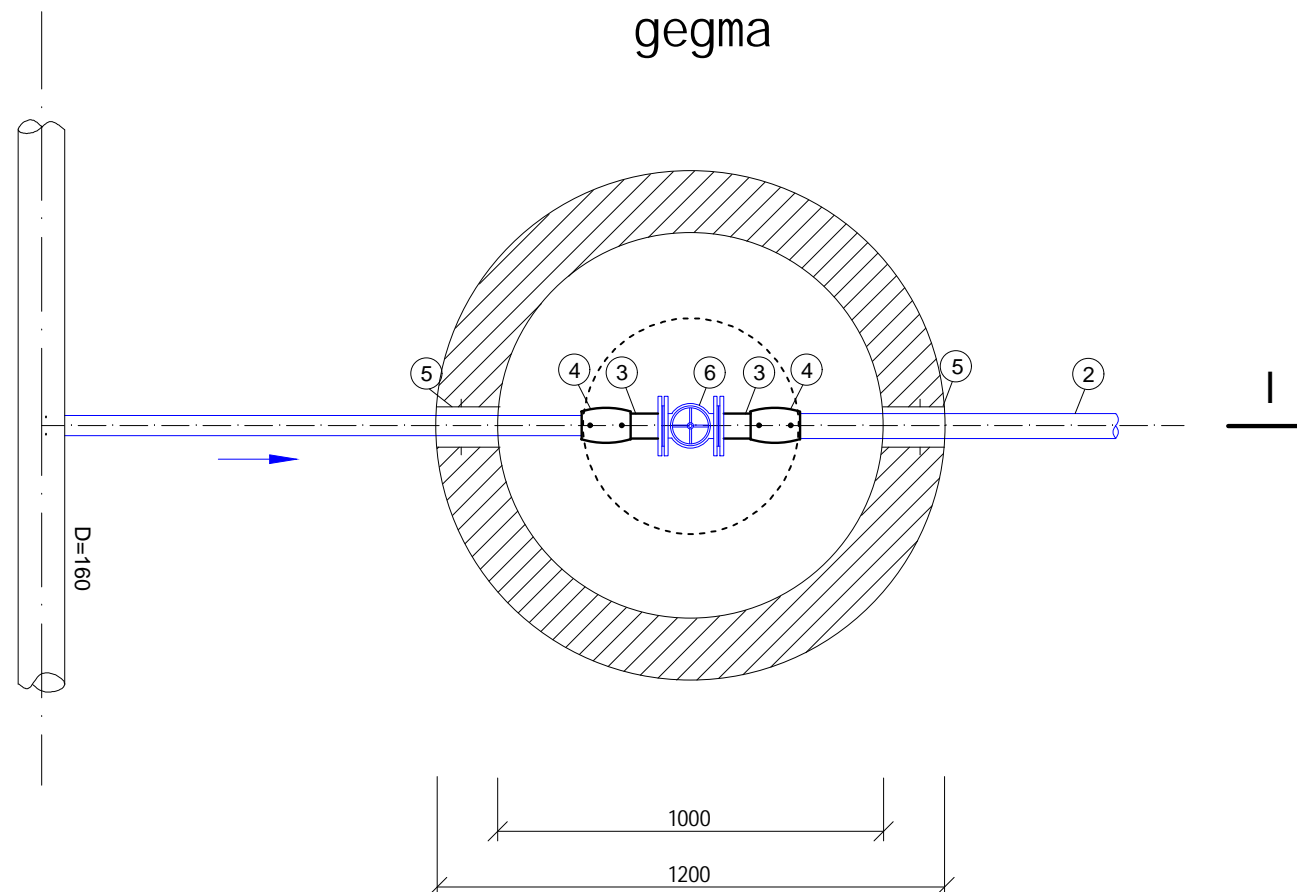
saproeqtoganStoebisWa WriLi-I



eqsplikacia

1. sap. pol. mli d=160 mm mli;
2. sap. polieTinelis mli PE100 SDR11 PN16 d=110 mm;
3. polieTilenis adaptori ml tuCiT d=110 mm;
4. polieTilenis SemaerTebeliel. quro d=110 mm;
5. Cobali d=165 mm;
6. urduli d=100 mm;
7. sayrdeni foladis mli d=100 mm l iTonis furcl iT;
8. pol. samkapi d=160/110mm;

gegma



| | | |
|---------|--------|----------|
| formati | stadia | varianti |
| A3 | m.p. | 1 |

pirobiTi aRni Svnebi:

- asfaltis gza
- qvi Sa-xreSovani fena
- RorRis fena
- adgil obrivi grunti
- qvi Si s fena

Seni Svnebi


1. samuSaoebis warmoebis sas dacul i i qnas usafrTxoebis wesebi.
2. gamagreba moewyos H=1.50 m CaRrmavebis Semdeg.
3. Txrili s gaTxris dros saval debul oa geol ogis daswreba.

damkveTi

S.p.s. i fql i

dakveTa #IN22-0707916 (2101)

Semsrul ebeli



S.p.s. "j orjian uoTer end faueri"
teqnikuri eqspertizis da proeqtirebis departamenti - saproeqtosamsaxuri
Tbilisi, medea (mzia) juRelis quca #10.

| | | |
|-------------------------------|-------------|--|
| sap. axali mi er. sam. ufrosi | s. jafariZe | |
| proeqtis xel mZRvaneli | n. imnaZe | |
| Seasrula | n. imnaZe | |
| Seamowma | s. jafariZe | |

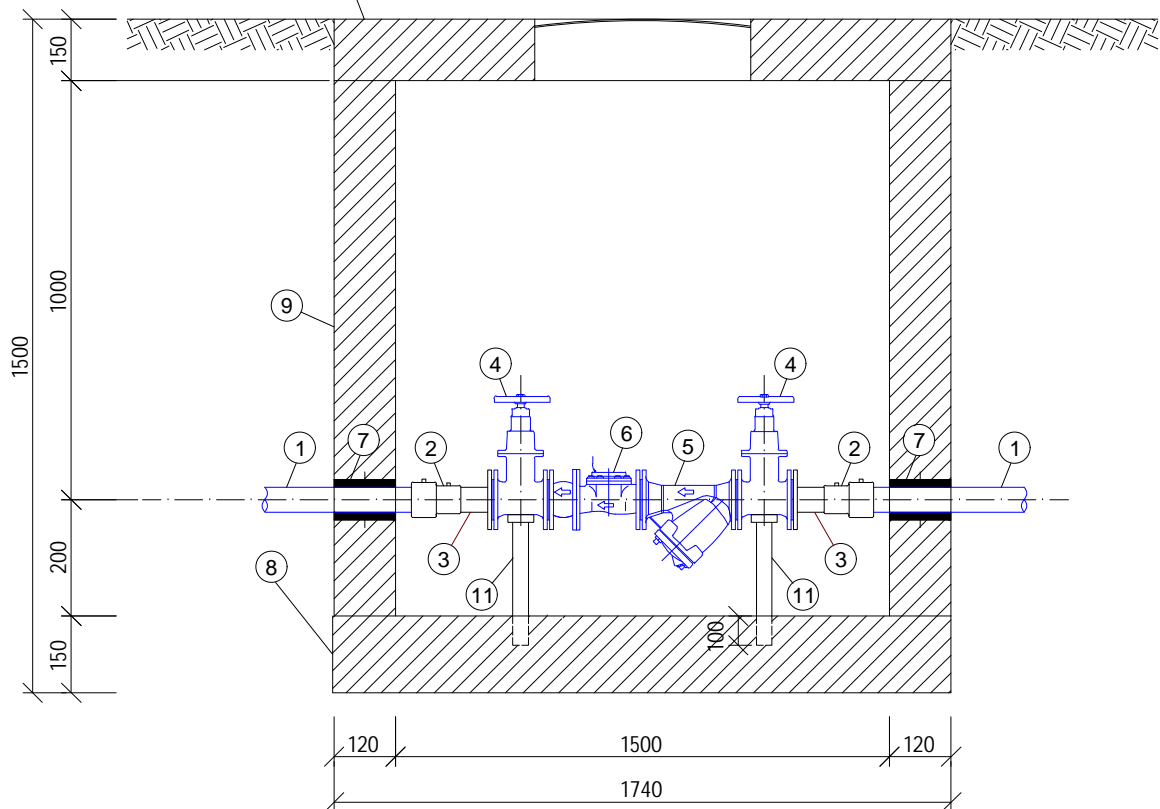
vake-saburTalos raioni.
daviT aRmaSeneblis q. #152.
S.p.s. "i fql i"-s obieqtis
(s.k.#01.72.14.034.467)
wyal sadenis gare qsel is mowyobis proeqti.

| | |
|---------|----------------|
| Tari Ri | dekemberi 2022 |
| naxazi | |

sap. ganStoebis Wa.
saproeqtos urdul iT.

| | | |
|----------|-----------|-----------|
| masStabi | furcl i # | furcl ebi |
| ---- | w-4 | 5 |

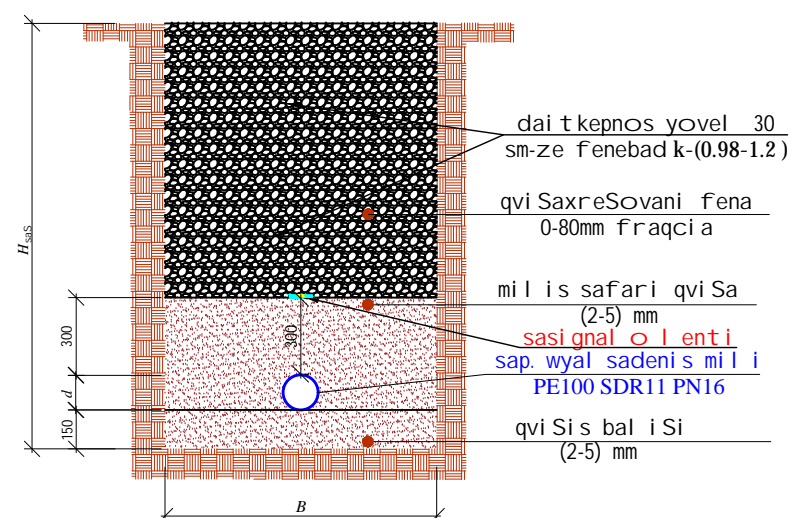
saproeqto wyal mzomi s Wa d=1.50 m h=1.50 m



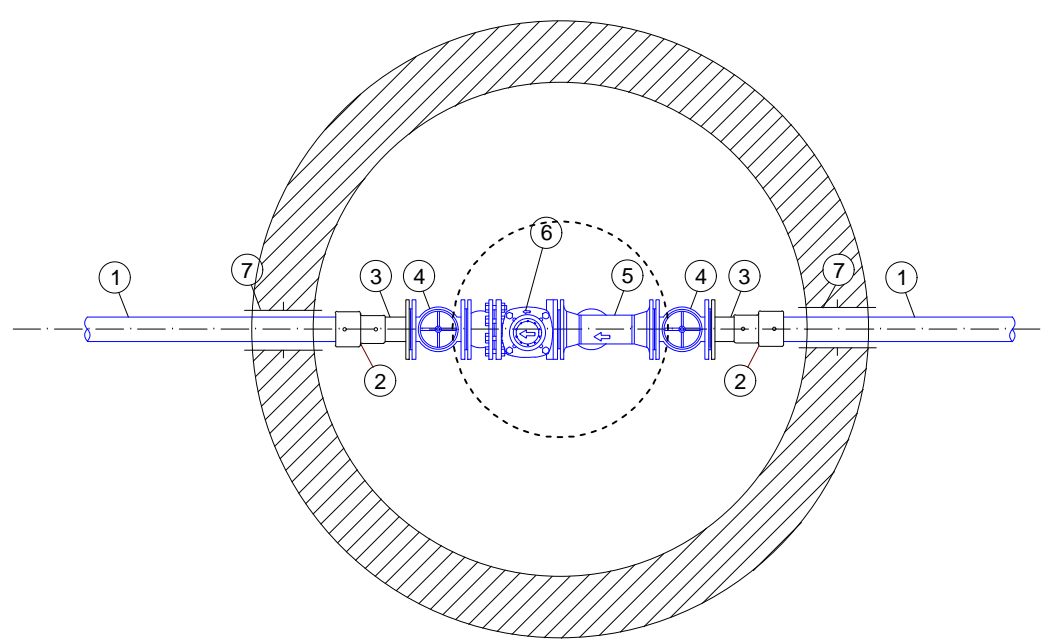
eqspl i kaci a:

1. saproeqto pol ietil enis mi li PE100 PN16 SDR.11 - Ø110 mm.
2. pol ietil enis SemaerTebel i el . qur o d=110 mm
3. pol ietil enis adaptori mil tuCiT d=110 mm
4. urdul i DN=100 mm.
5. fil tri DN=100 mm.
6. wyal mzomi DN=100 mm.
7. Cobal i d=165 mm.
8. Wis Ziris rki na-betonis fil a.
9. Wis rki na-betonis kedel i.
10. Wis gadaxurvis rki na-betonis fil a Tuj is xufiT.
11. sayrdeni fol adis mi li d=100 mm l iTonis furcl iT.

wyal sadenis mi wi s Txril is gani vi kveTi



| # | d | H _{saS} | B | h _{saS} | L (m) |
|---|-----|------------------|-----|------------------|-------|
| 1 | 160 | 1200 | 700 | 590 | 348 |
| 2 | 110 | 1200 | 700 | 640 | 4 |



| | | |
|---------|--------|----------|
| formati | stadia | varianti |
| A3 | m.p. | 1 |

pi robi Ti aRni Svnebi:

- asfal tis gza
- qvi Sa-xreSovani fena
- RorRis fena
- adgil obrivi grunti
- qvi Si s fena

Seni Svnebi

1. samuSaoebis warmoebis sas dacul i i qnas usafrTxoebis wesebi .
2. gamagreba moewyos H=1.50 m CaRrmavebis Semdeg.
3. Txril is gaTxris dros saval debul oa geol ogis daswreba.

damkveTi S.p.s. i fql i

dakveTa #IN22-0707916 (2101)

Semsrul ebel i

S.p.s."j orjian uoTer end faueri"
teqnikuri eqspertizis da proeqtirebis deparamenti-saproeqto samsaxuri Tbil isi, medea (mzia) j uRel is quCa #10.

| | | |
|--------------------------------|--------------|--|
| sap. axal i mi er. sam. ufrosi | s. j afariZe | |
| proeqtis xel mZRvanel i | n. imnaZe | |
| Seasrul a | n. imnaZe | |
| Seamowma | s. j afariZe | |

vake-saburTal os rai oni. davi T aRmaSenebl is q. #152. S.p.s. "i fql i"-s obieqtis (s.k.#01.72.14.034.467) wyal sadenis gare qsel is mowyobis proeqti .

Tari Ri dekember i 2022

naxazi

sap. wyal mzomi s Wa. mi wi s Txril is gani vi kveTi

| | | |
|----------|------------|-----------|
| masStabi | furcel i # | furcl ebi |
| ---- | w-5 | 5 |