

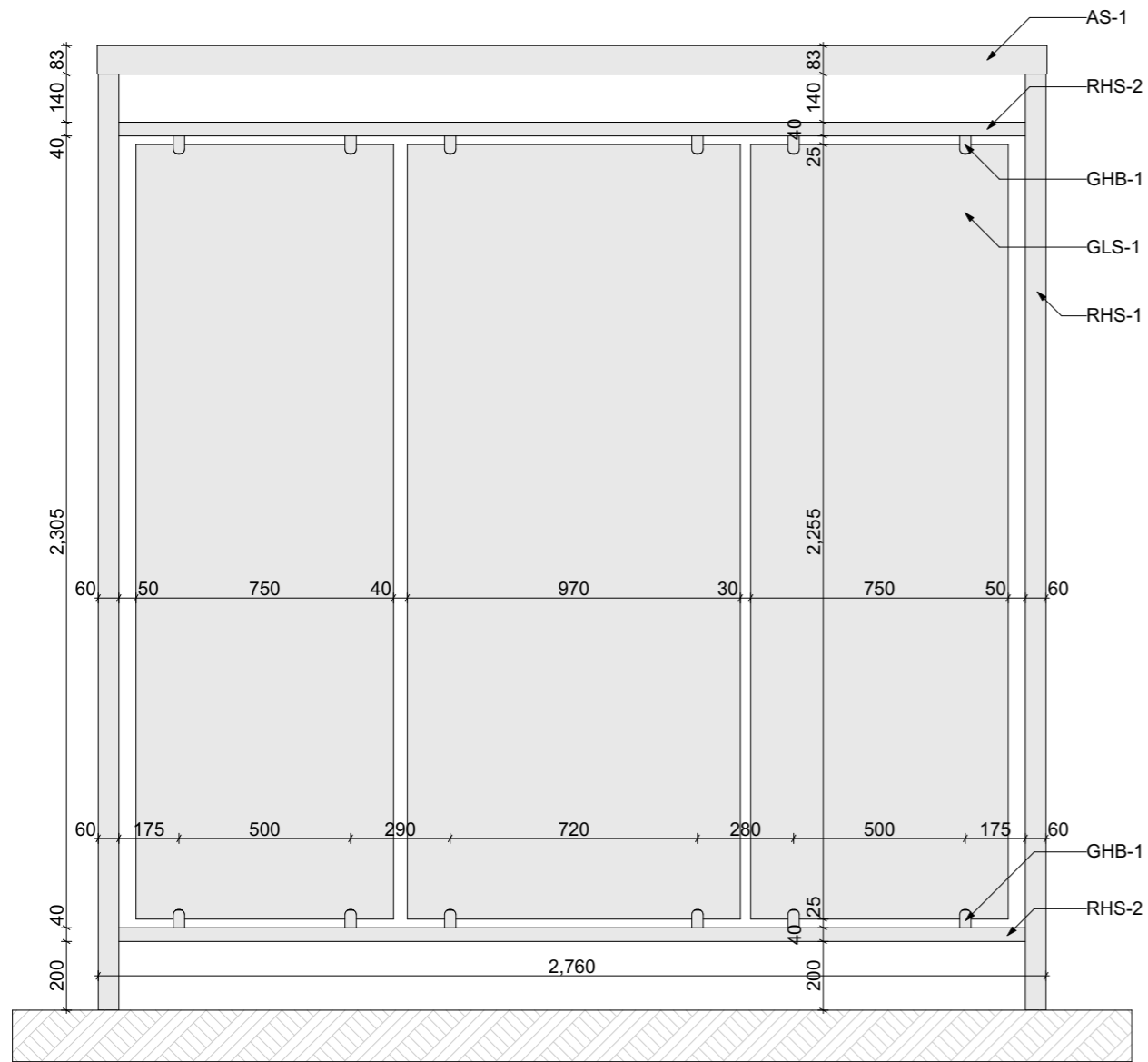
0.

Floor plan

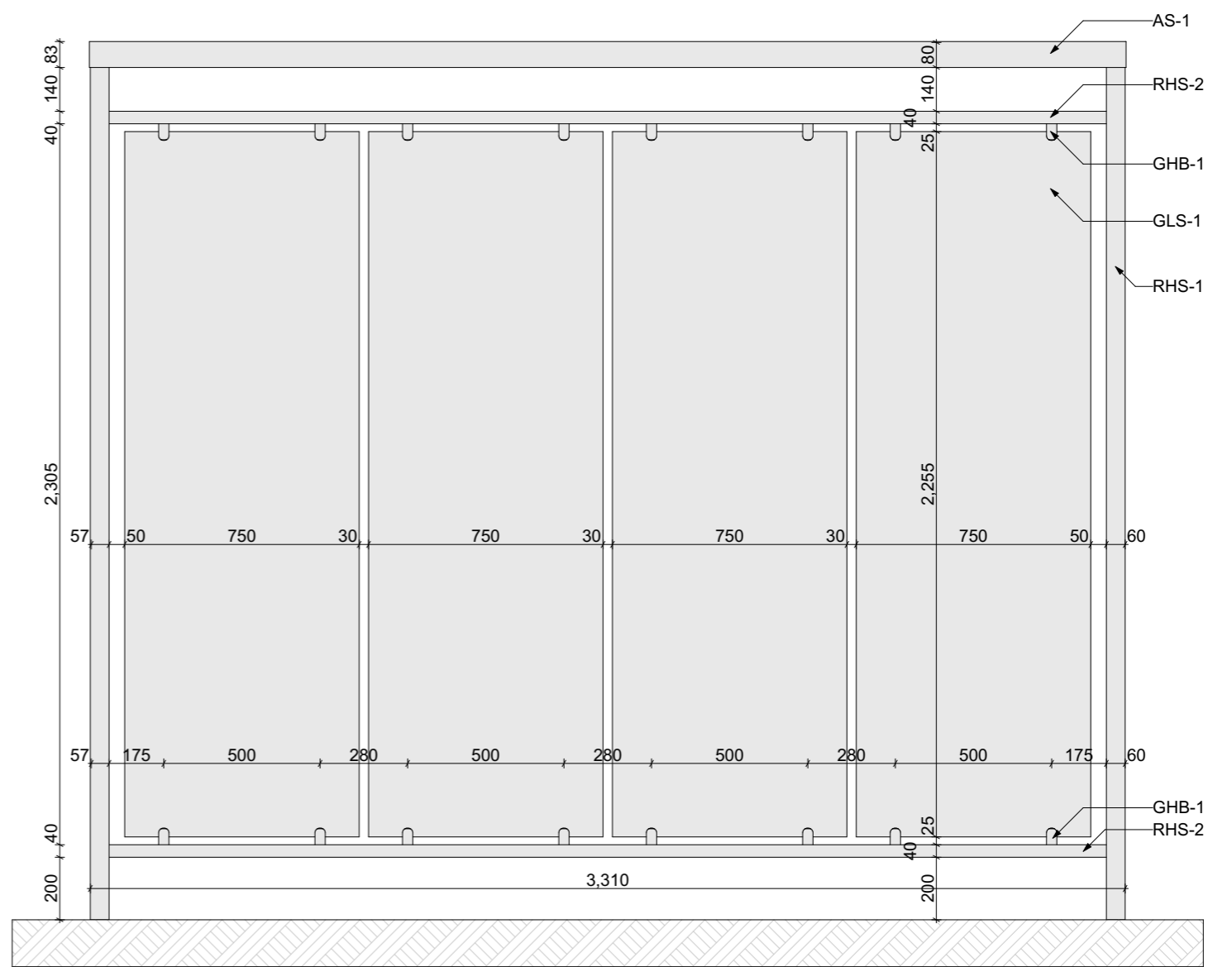
1:20



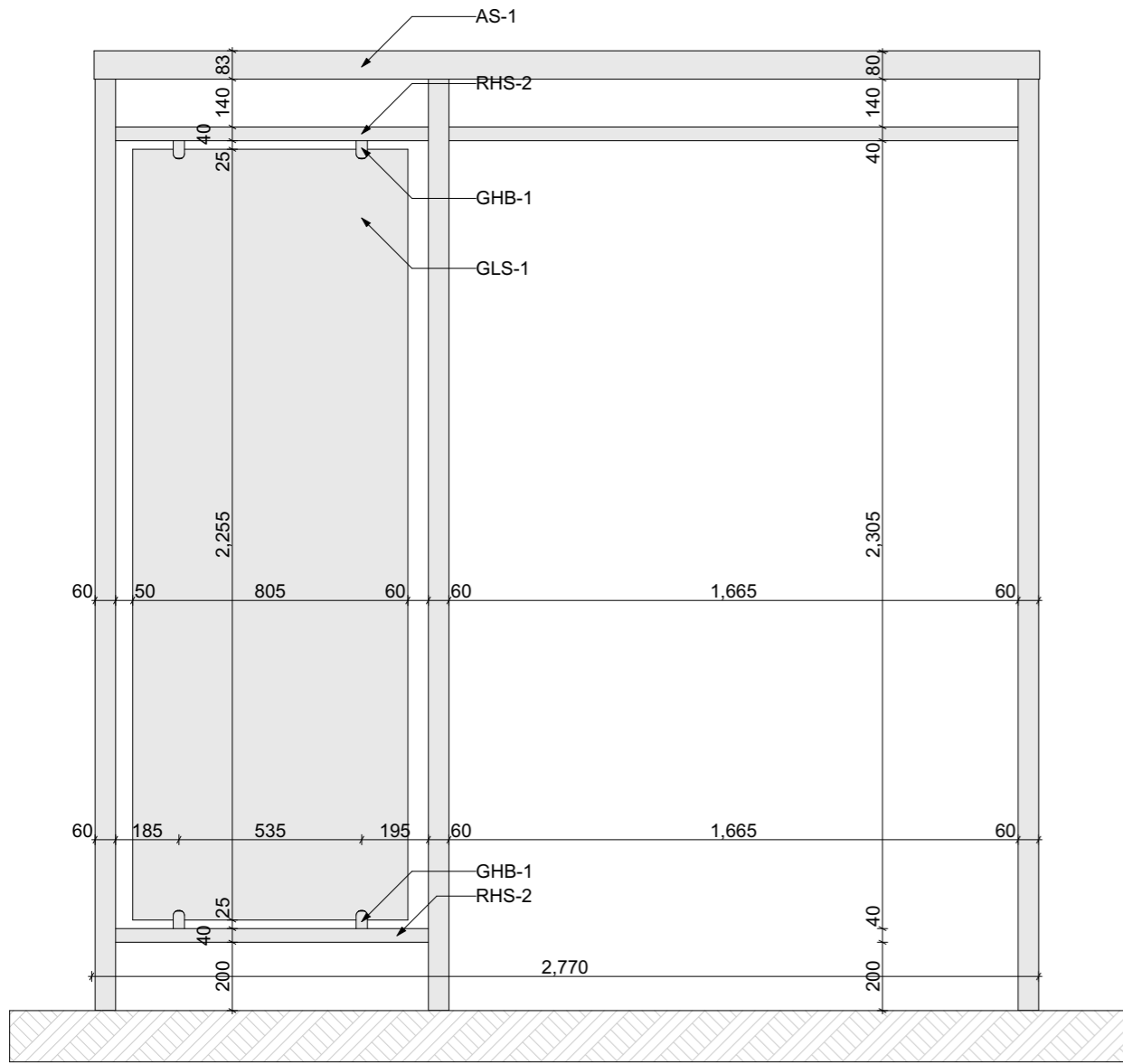
SMOKING AREA GIRTEKA



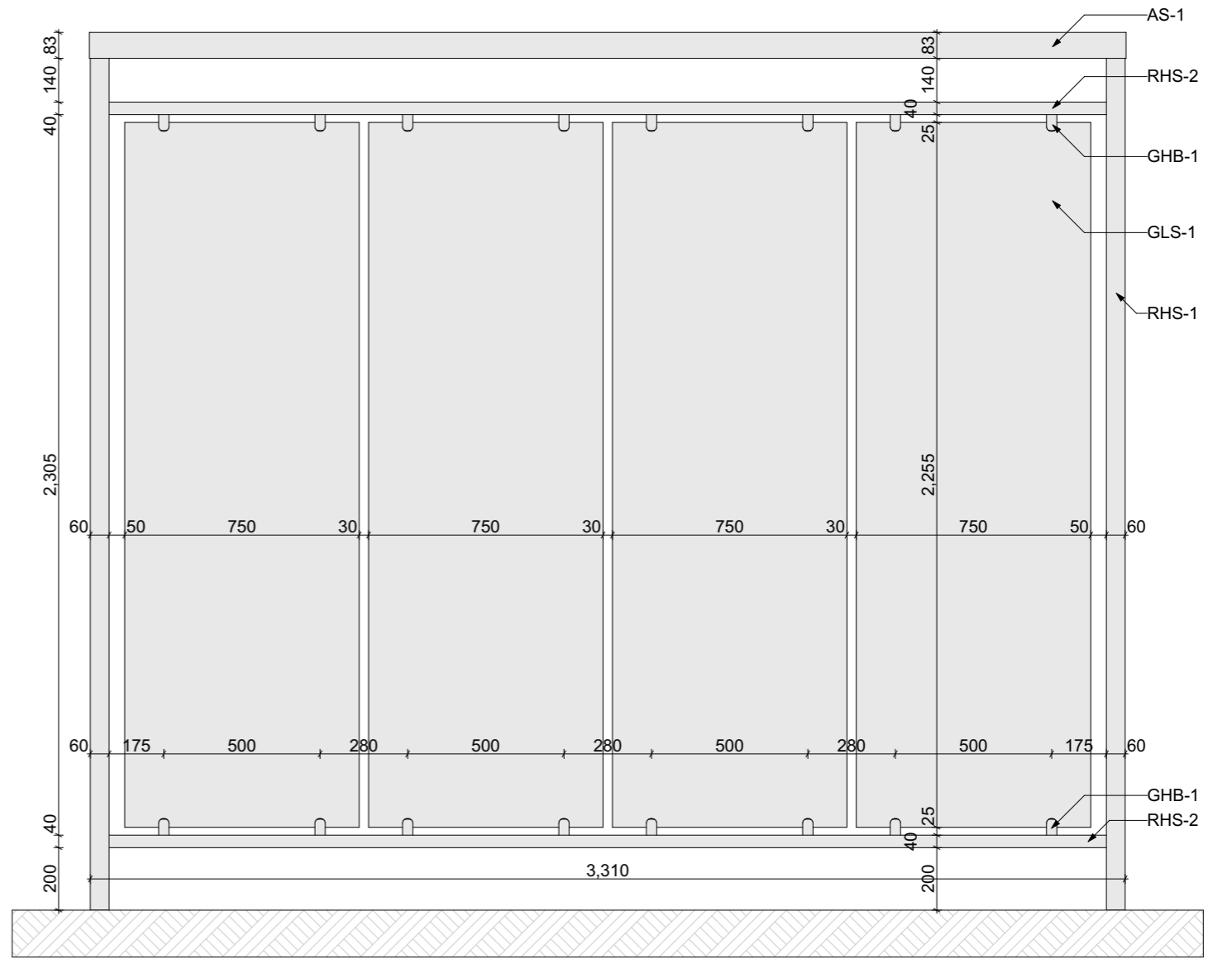
E-1 Elevation 1 1:20



E-2 Elevation 2 1:20

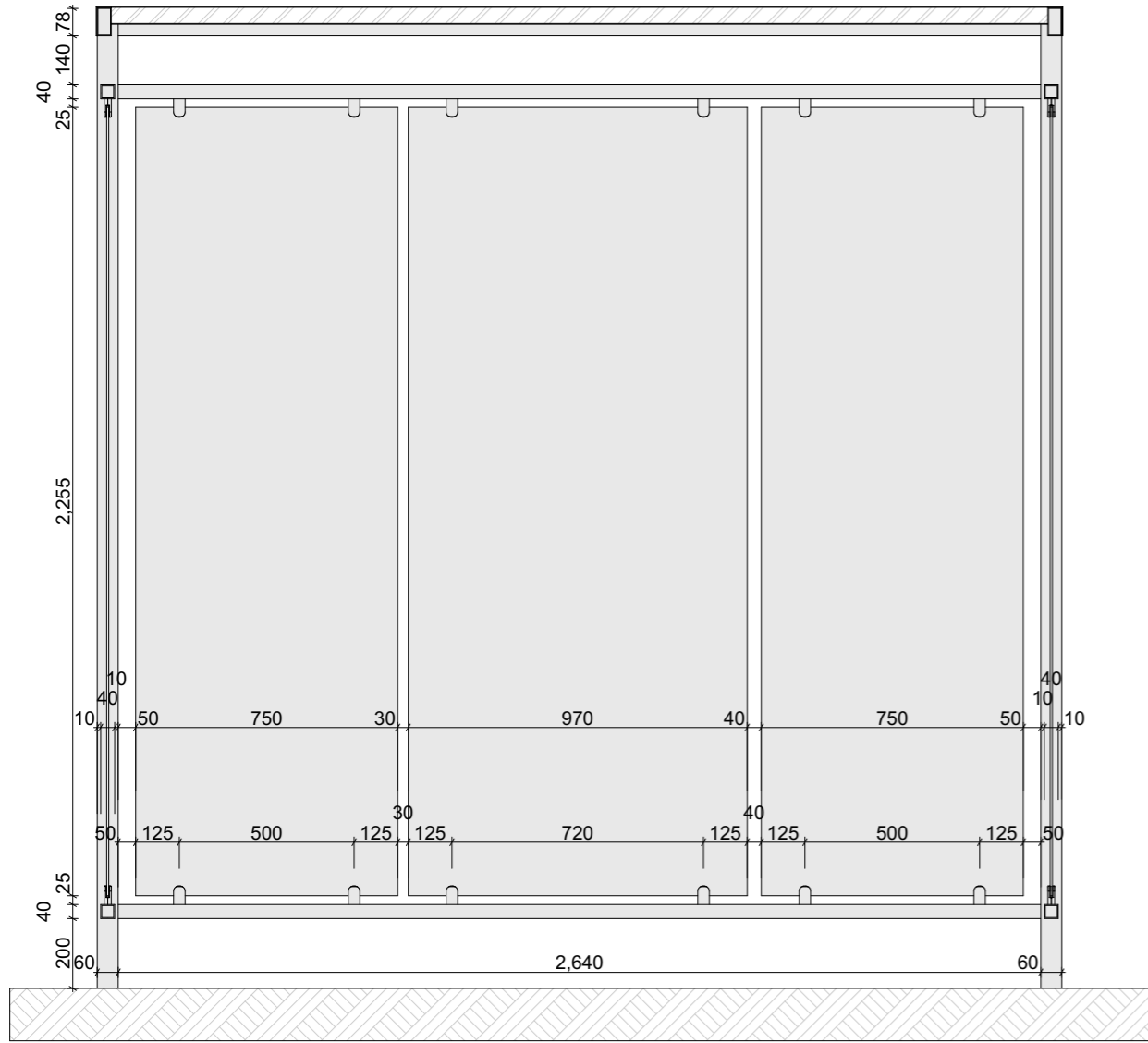


E-3 Elevation 3 1:20

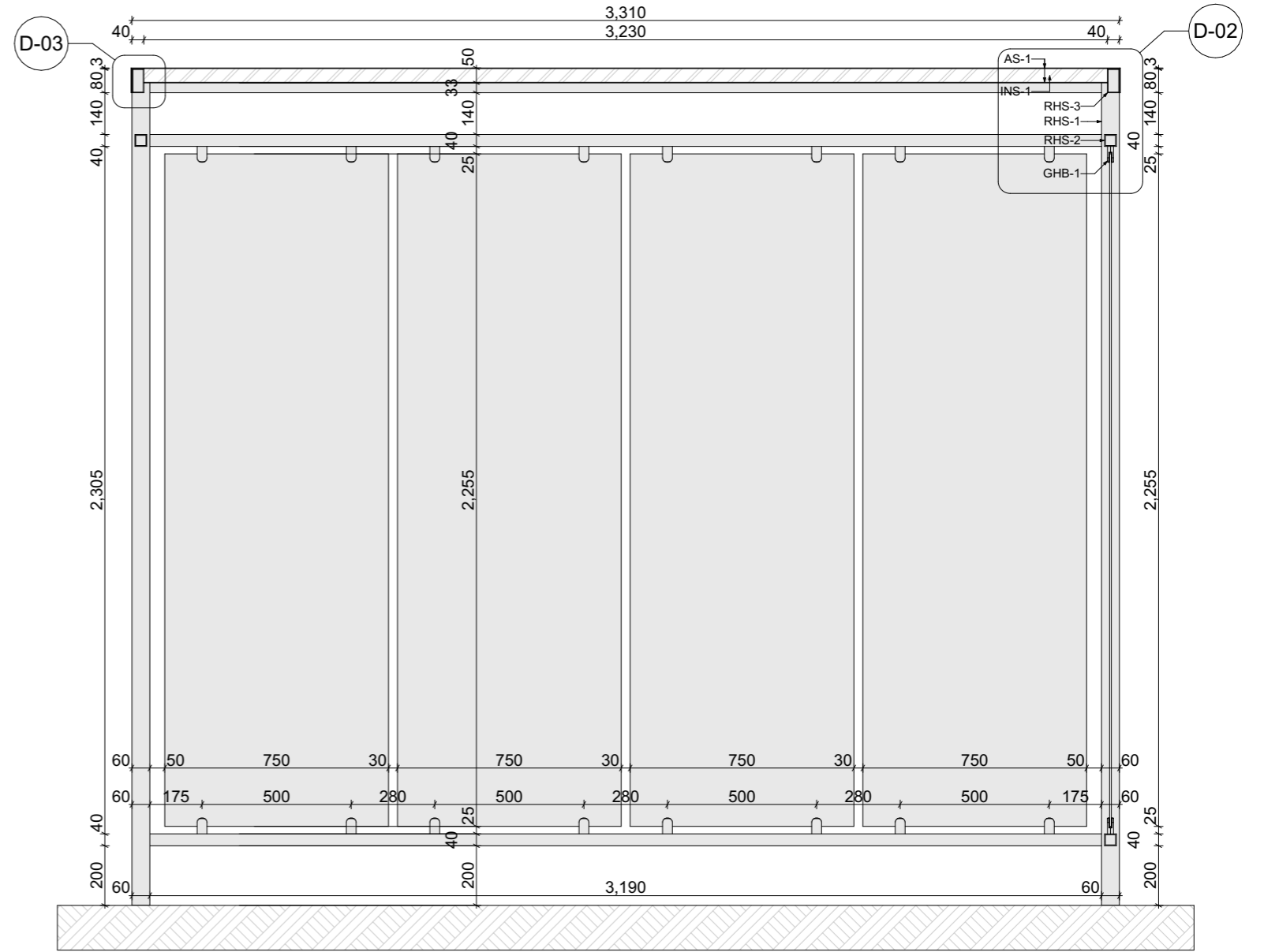


E-4 Elevation 4 1:20

SMOKING AREA GIRTEKA



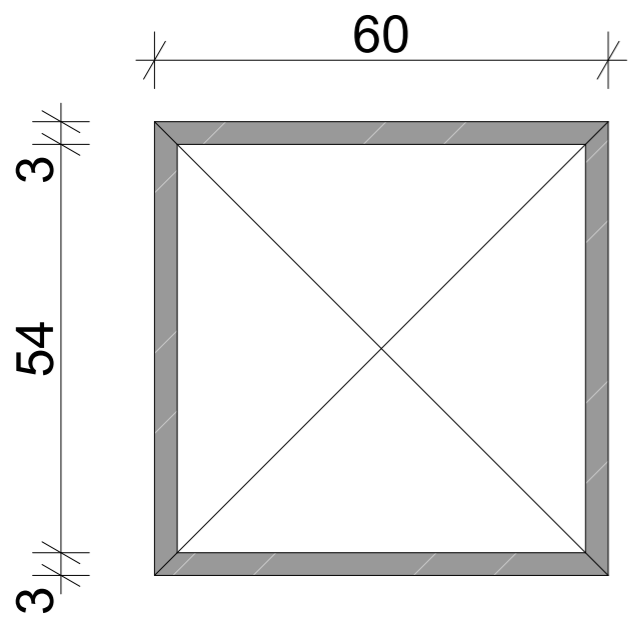
S-1 Building Section 1:20



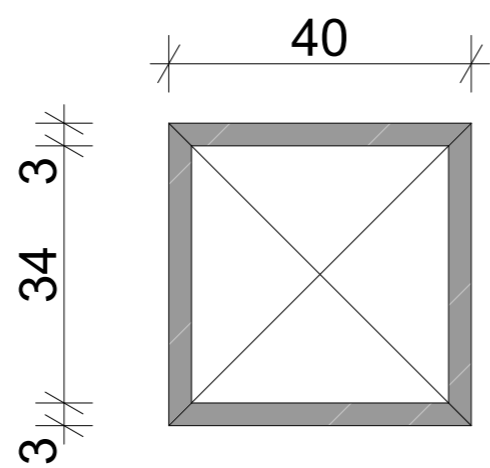
S-2 Building Section 1:20

SMOKING AREA GIRTEKA

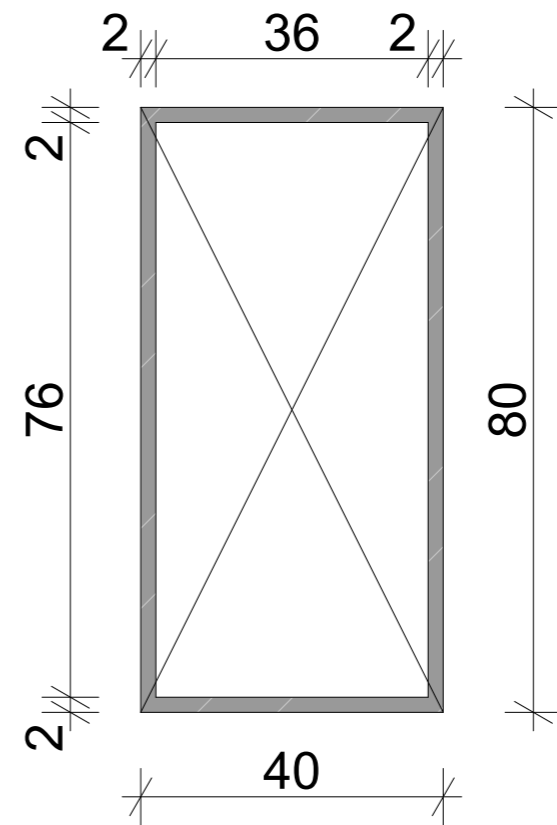
0. RHS-1 1:1



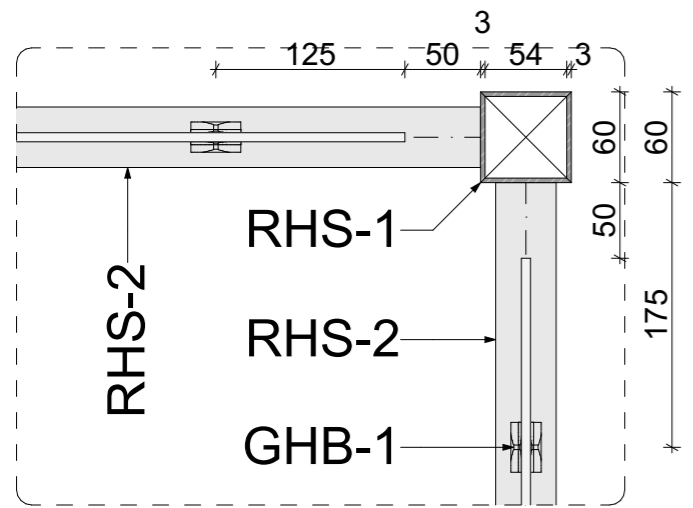
0. RHS-2 1:1



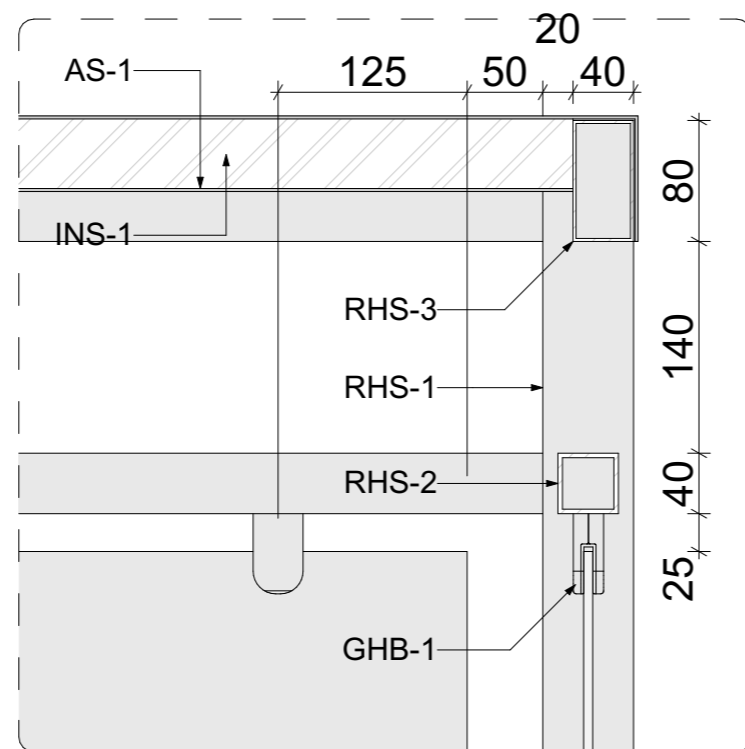
0. RHS-3 1:1



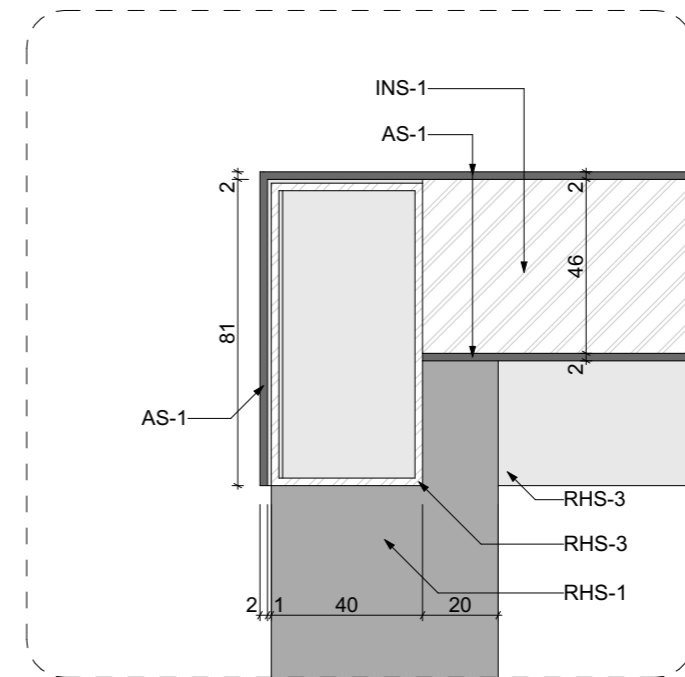
0. GHB-1 1:1



D-01 Detail 1:5



D-02 Building Section 1:5



D-03 Building Section 1:2