

Data sheet

STULZ

CLIMATE. CUSTOMIZED.

Unit

Unit type:	ASD 391 A		
Cooling capacity (total):	38.7 kW	Airflow:	11,500 m ³ /h
Net total cooling capacity:	36.2 kW	Air velocity:	2.7 m/s
Condensing temperature:	50 °C	Return air temperature:	24 °C
EER:	3.34 kW/kW	Return air humidity:	50 rel.%
AER:	0.22 W/(m ³ /h)	Supply air temperature:	15 °C
Sound power level:	79.6 dB(A)	Altitude above sea level:	200 m
LpA (2m freefield):	59.3 dB(A)	Height:	1,980 mm
Number of refrigerant circuits:	1	Width:	1,400 mm
Number of compressors:	1	Depth:	890 mm
		Weight:	465 kg
		Refrigerant:	R407C
		Power supply:	380-415/3/50

Fan (Data per unit)

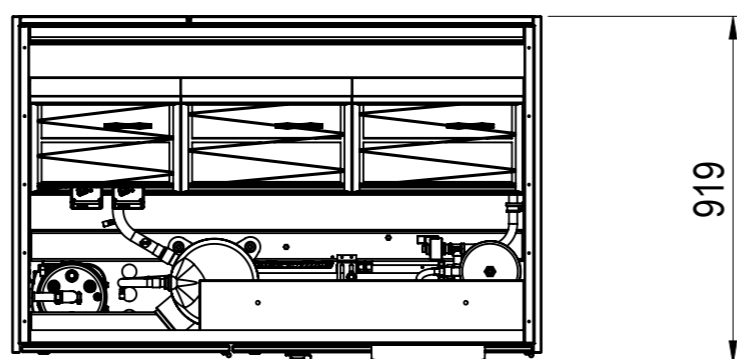
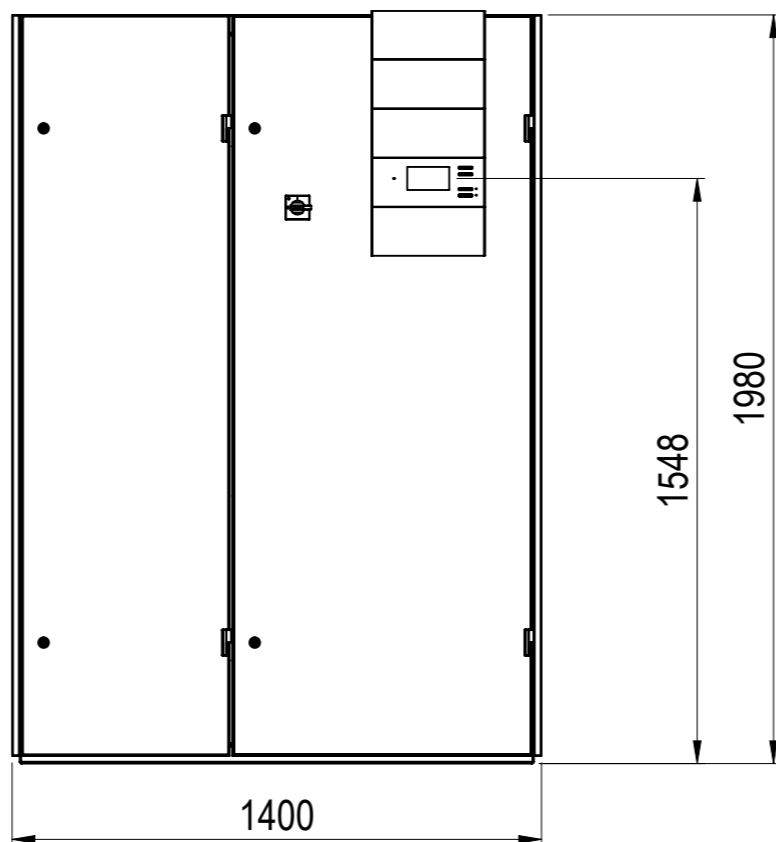
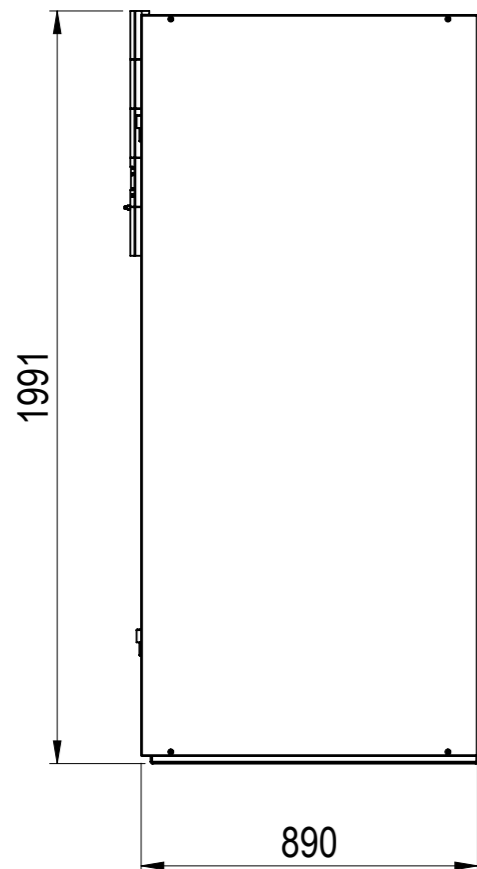
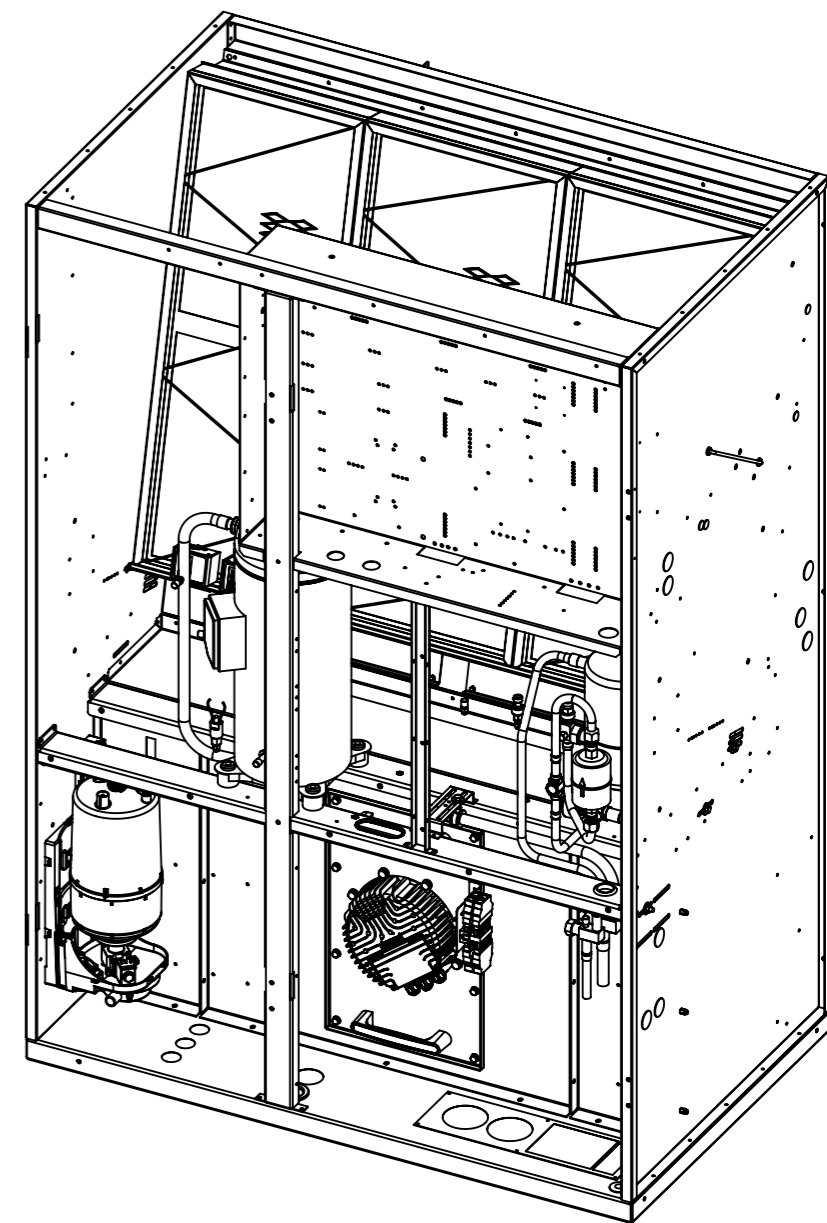
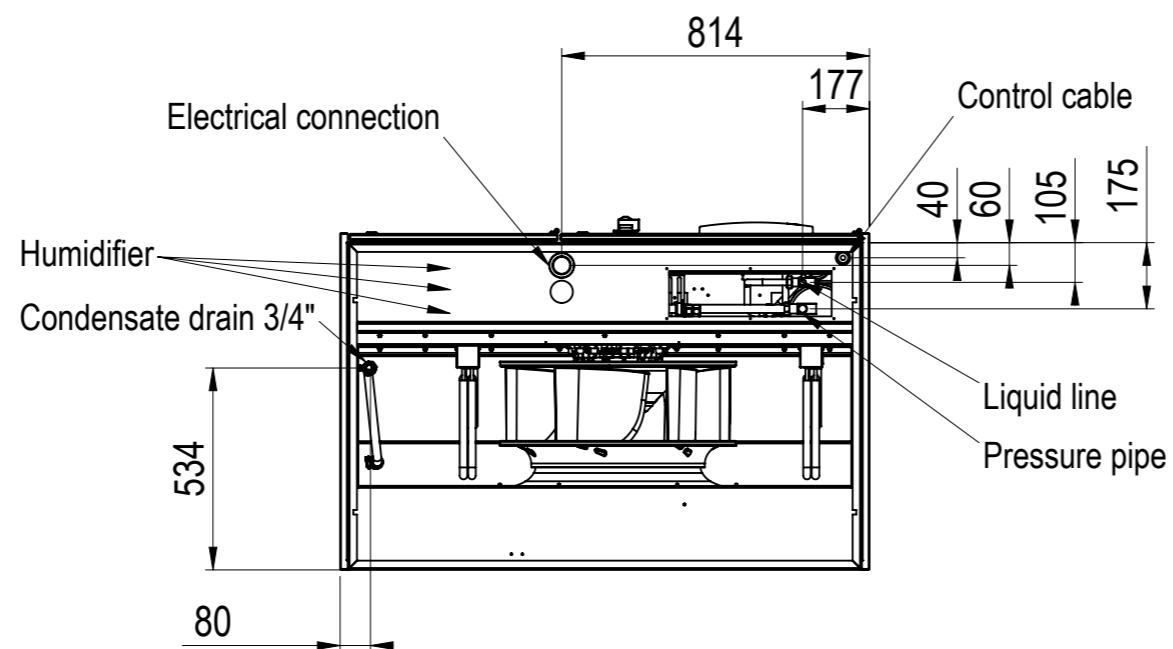
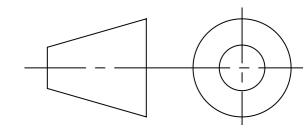
Fan type:	R3G595	Power consumption:	2.5 kW
Number:	1	ESP external static pressure:	50 Pa
Max. revolutions:	1,408 U/min	Total pressure drop:	382 Pa
Nominal power:	2.9 kW	Control voltage:	8.9 V
Revolutions:	1,318 rpm	Motor-efficiency:	89 %

Compressor (Data per compressor)

Electrical power consumption:	9.1 kW
Heat rejection:	47.9 kW
COP:	4.24 kW/kW
Number:	1
Evaporating temperature:	10.2 °C

Condenser

Unit type:	KSV057A31p	Weight:	161 kg
Ambient temperature:	38 °C	Current consumption (per fan):	3.10 A
Sound pressure group:	Standard	Power consumption (per fan):	0.71 kW
Required condenser capacity:	47.9 kW	Height:	947 mm
Available condenser capacity:	52.5 kW	Width:	2,360 mm
Difference:	9.6 %	Depth:	770 mm
Number of fans:	3	Airflow:	16,800 m ³ /h
Number of condensers:	1	LpA (5m freefield):	60.3 dB(A)



Liquid line	solder connection	16mm
Pressure pipe	solder connection	22mm