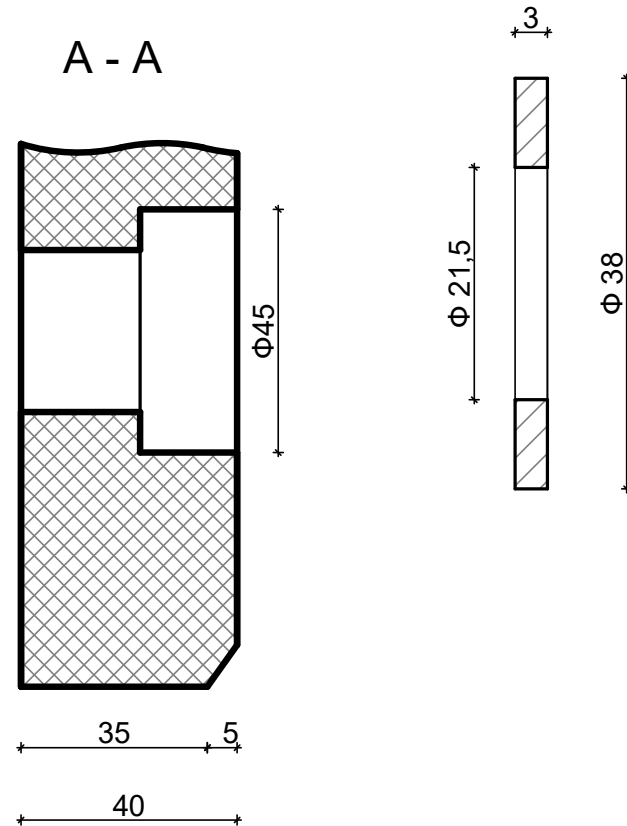
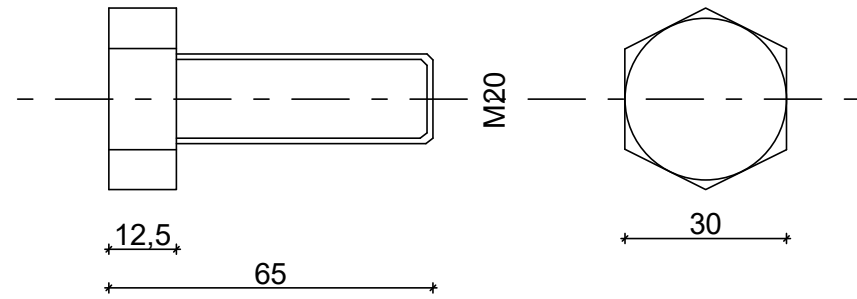
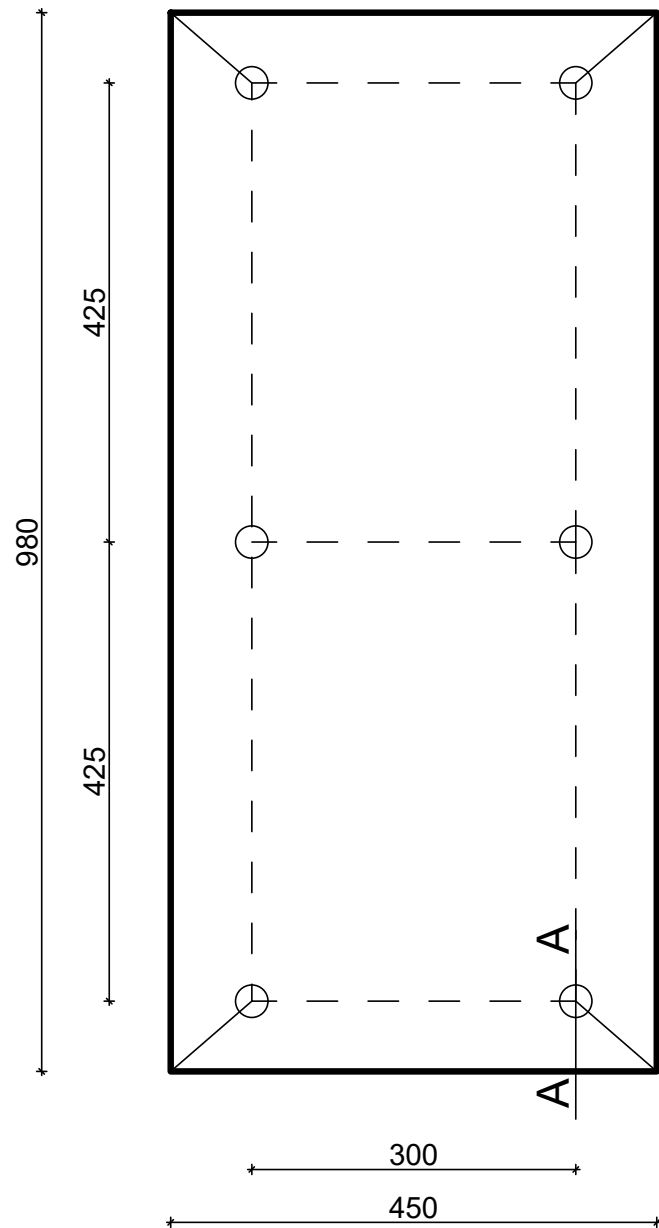
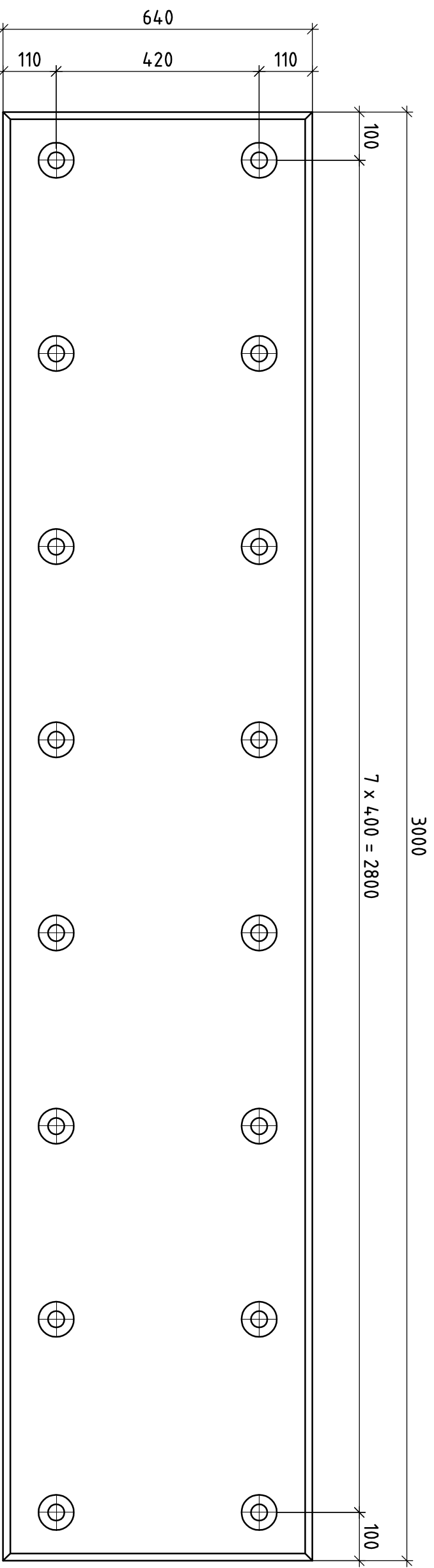


Чертеж для фасадной (лицевой) плиты для CMR-DA 600-1000

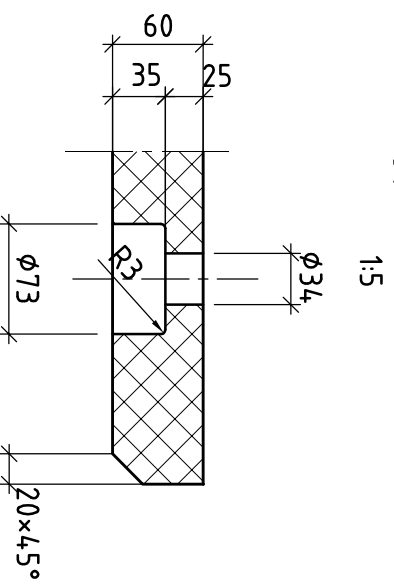


UHMW-PE 60x64,0x3000 ①
 FQ
 black, planed
 uv-stabilised



Quantities see drawing -001

Typical Detail

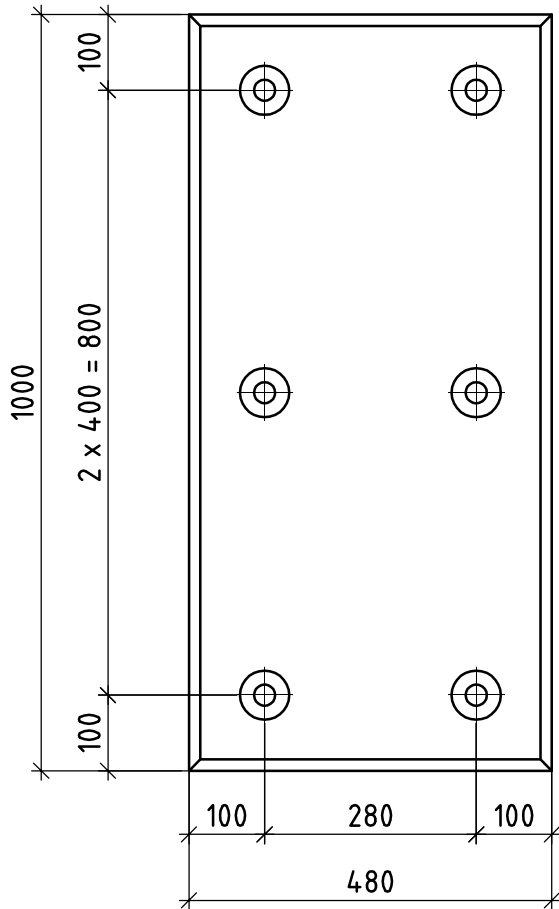


Index	a	UHMW-PE amended	S.S.	27.05.15
Amendment			Name	Date
All tolerances acc. to Fenderteam catalogue edition 02/2014 - Alle Toleranzen gemäß FenderTeam-Katalog Ausgabe 02/2014.				
Project:				
SX-P 800x3000mm, G2.0				
UHMW-PE 60x64,0x3000 - pos. 1				
<small>©This drawing is allowed to be used for its intended purpose only, handing out to a third person is not permitted, nor its usage for other purposes. It shall not be copied or stored electronically without prior agreement of the owner.</small>				
Drawn:	KS			21.05.15
Designed:				
Checked:	PR			21.05.15
Scale:	1:10, 1:5			Size: A3
Drawing-No.:	2525-101a			

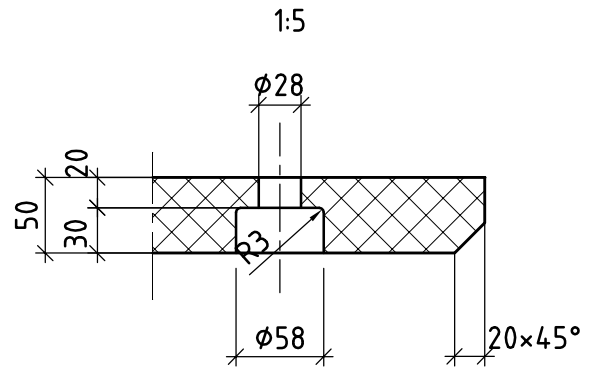
Fender Team
 on the safe side
 Fender Team AG
 Tarpfen 40 - Haus 1b, 22419 Hamburg / Germany
 Tel. +49-(0)40-20 90 764 70, Fax +49-(0)40-20 90 764 80

INGENIEURBÜRO ROSSBURGER
 Dipl.-Ing. Peter Roßburger
 -Berater/Ingenieur für Bauwesen-
 Tarpfen 40 - Haus 1b, 22419 Hamburg / Germany
 Tel. +49-(0)40-20 90 764 90, info@rossburger.eu

UHMW-PE 50x480x1000 ①
 FQ
 black, planed
 uv-stabilised



Typical Detail



Quantities see drawing -002

Index	Amendment	Name	Date
-------	-----------	------	------

All tolerances acc. to Fenderteam catalogue edition 02/2014 - Alle Toleranzen gemäß Fenderteam-Katalog Ausgabe 02/2014

Project: **SX-P 600x1000mm, G2.0**
 UHMW-PE 50x480x1000 - pos. 1

©This drawing is allowed to be used for its intended purpose only. Handing out to a third person is not permitted, nor its usage for other purposes. It shall not be copied or stored electronically without prior agreement of the owner.

Fender Team

on the safe side

FenderTeam AG

Tarpen 40 - Haus 1b, 22419 Hamburg / Germany
 Tel. +49-(0)40-20 90 764 70, Fax +49-(0)40-20 90 764 80

**INGENIEURBÜRO
 ROSSBURGER**

Dipl.-Ing. Peter Roßburger
 -Beratender Ingenieur für Bauwesen-

Tarpen 40 - Haus 1b, 22419 Hamburg / Germany
 Tel. +49-(0)40-20 90 764 90, info@rossburger.eu

Drawn:	KS	21.05.15
Designed:		
Checked:	PR	21.05.15
Scale:	1:10, 1:5	Size: A4
Drawing-No.:	2525-201	